

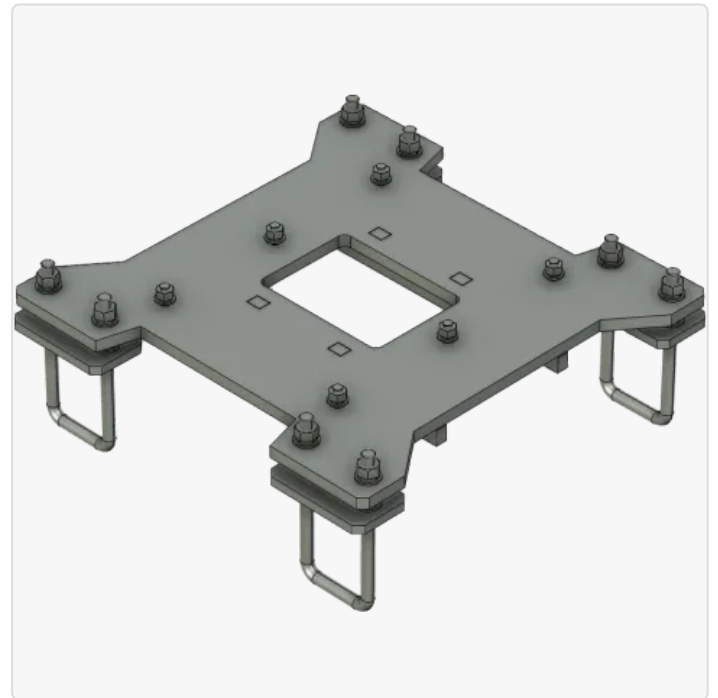
# Interface Bracket for 7.8m Winch-Up Mast to suit APAC Alloy Modular Trailer Series

SKU: MAS-BH-00375

MPN: AP-AMT-MB8M

## Description

This bracket is required to attach an APAC Winch-Up Mast to an APAC AMT Platform (Trailer, Skid) Chassis. It consists of a central plate and four 79 mm Square U-Bolt Clamp assemblies which attach to the chassis cross members.



## APAC Infrastructure

APAC Infrastructure is an Australian metal fabrication company dedicated to high tech industries in the commercial, industrial, and defence sectors. Our team is committed to evolving our solutions to meet the rapidly changing needs of our rapidly changing world, ensuring your team deliver solutions at the very forefront of technological development. APAC develops made-to-measure height systems for ...

# Physical Specification

Subtype:	Interface Bracket	Mounting:	Square U-Bolt 79 mm
Dimensions:	565 × 565 × 190 mm		

## Available Interfaces

Quantity	Mounting	Details
1	Retractable Mast Base Bolt Pattern	For attaching APAC Winch-Up Mast

## Subcomponents

Quantity	Name	Materials	Material Finish
1	Interface Plate, 16 mm Sheet	Aluminium	
4	Square U-Bolt & Clamp, 79 mm Inner, M14 Nut	Steel	Hot-Dip Galvanised

Disclaimer: Although care has been taken to ensure the accuracy, completeness and reliability of the information provided, Powertec assumes no responsibility therefore. The user of the information agrees that the information is subject to change without notice. Powertec assumes no responsibility for the consequences of use of such information, nor for any infringement of third party intellectual property rights which may result from its use. IN NO EVENT SHALL POWERTEC BE LIABLE FOR ANY DIRECT, INDIRECT, SPECIAL, OR INCIDENTAL DAMAGE RESULTING FROM, ARISING OUT OF OR IN CONNECTION WITH THE USE OF THE INFORMATION.

