

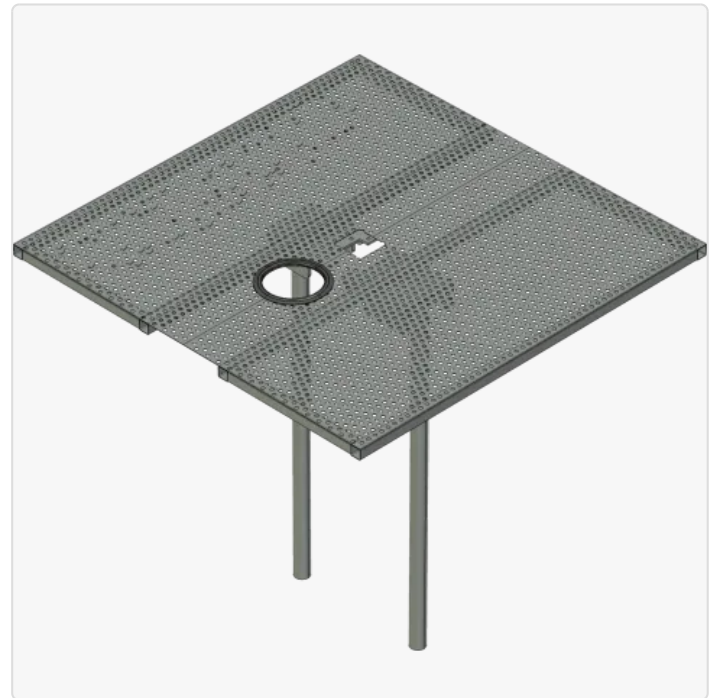
# Aluminium Isolation Screen for Winch-Up Masts, Twin Pole Mounts, 1100 x 1100 mm

SKU: MAS-BH-00306

MPN: AP-TM-AIS

## Description

This is an RF isolation screen manufactured from perforated aluminium mesh. It has been designed specifically to match the APAC/Powertec retractable mast series. The screen has a hole for the cable spiral to protrude through, and two 50 mm pole mounts below the screen allow attachment of equipment.



## APAC Infrastructure

APAC Infrastructure is an Australian metal fabrication company dedicated to high tech industries in the commercial, industrial, and defence sectors. Our team is committed to evolving our solutions to meet the rapidly changing needs of our rapidly changing world, ensuring your team deliver solutions at the very forefront of technological development. APAC develops made-to-measure height systems for ...

# Physical Specification

Subtype:	Mounting Bracket	Mounting:	Retractable Mast Mid-Section
Dimensions:	1,100 × 1,100 × 1,030 mm	Weight:	12 kg

## Available Interfaces

Quantity	Mounting	Details
2	Pole 50 mm	Two stand-off mounts to LHS and RHS of retractable mast

## Subcomponents

Quantity	Name	Materials	Material Finish
1	Isolation Screen LHS	Aluminium	Bright/Pickled Finish
1	Isolation Screen RHS	Aluminium	Bright/Pickled Finish

Disclaimer: Although care has been taken to ensure the accuracy, completeness and reliability of the information provided, Powertec assumes no responsibility therefore. The user of the information agrees that the information is subject to change without notice. Powertec assumes no responsibility for the consequences of use of such information, nor for any infringement of third party intellectual property rights which may result from its use. IN NO EVENT SHALL POWERTEC BE LIABLE FOR ANY DIRECT, INDIRECT, SPECIAL, OR INCIDENTAL DAMAGE RESULTING FROM, ARISING OUT OF OR IN CONNECTION WITH THE USE OF THE INFORMATION.

