

Teltonika RUTX09 3G-4G CAT-6 Router with GPS

SKU: M2M-TE-00007

MPN: RUTX09

Barcode: 4779027312460

Description

This powerful LTE router is designed as a Main/Backup Internet source where steady connection and high data throughput is required. Equipped with Dual-SIM and 4 x Gigabit Ethernet ports. RUTX09 has all advanced RutOS software and security features.

RUTX09 is an ideal platform for small site deployments requiring a simple but powerful LTE gateway connected into an existing IT system. This device intentionally doesn't provide a WiFi network, stripping back its feature-set to focus its hardware on providing high speed Cat 6 (300 Mbps) LTE-Advanced internet connectivity.

The modem has a built in GNSS / GPS module, allowing customised tracking to be installed on the modem, along with management through Teltonika's RMS dashboard system.

[Read More](#)

Based on OpenWRT, this device consists of a durable SBC with an integrated Quectel EP06-E Cat 6 LTE-Advanced chipset, with a fully open source and customisable Linux OS. Using only a portion of its 256 MB flash memory allows additional daemons and custom services to be run to meet your specific application.

This is one of the few LTE-Advanced modems on the Australian market, which fully supports 2CA across all three Australian network operators.

[Read More](#)



Network Interfaces

Teltonika

Wireless Interfaces



In 21 years we have launched to mass production over 100 different devices in IoT, Networking, Connected vehicles, Asset and personal Tracking areas. That makes over 8.600.000 million devices sold worldwide in over 150 different countries. Although these numbers are impressive, Teltonika is more than that - we are about innovating, inspiring, connecting, educating and reliable partnership.

By ...

Cellular Module

Technologies: 3G UMTS, 4G LTE Chipset/Module: Quectel EP06

Failover: Automatic

4G LTE Specifications

MIMO: 2x2 MIMO DL Category: Cat 6

LTE Bands: B1 UL Category: Cat 5

B3 Carrier Aggregation: 2C CA

,
B5

,
B7

,
B8

,
B20

,
B28

,
B32

,
B38

,
B40

,
B41

SIM Cards

Quantity	SIM Type
2	Standard SIM (2FF)

Modem RF Connectors

RF Connector Function	Quantity	RF Interface
Cellular	2	SMA Female

GNSS Module

Technologies: BeiDou, Galileo, GLONASS, GPS, QZSS

Device RF Interface

RF Connector Function	Quantity	RF Interface
GNSS	1	SMA Female

Ethernet Interfaces

Interface	Quantity	Function	Signalling
RJ45 Copper	3	LAN	100BASE-T, 1000BASE-T
RJ45 Copper	1	WAN/LAN	100BASE-T, 1000BASE-T

Physical Specification

Subtype:	Cellular Modem	Dimensions:	115 × 95 × 44 mm
Min. Operating Temperature:	-40 °C	Weight:	455 g
Max. Operating Temperature:	75 °C	Materials:	Aluminium
		Mounting:	Teltonika Modem Screw Pattern
		Compliance/Certifications:	CE
		RCM	,
		RoHS	,

IO Interfaces

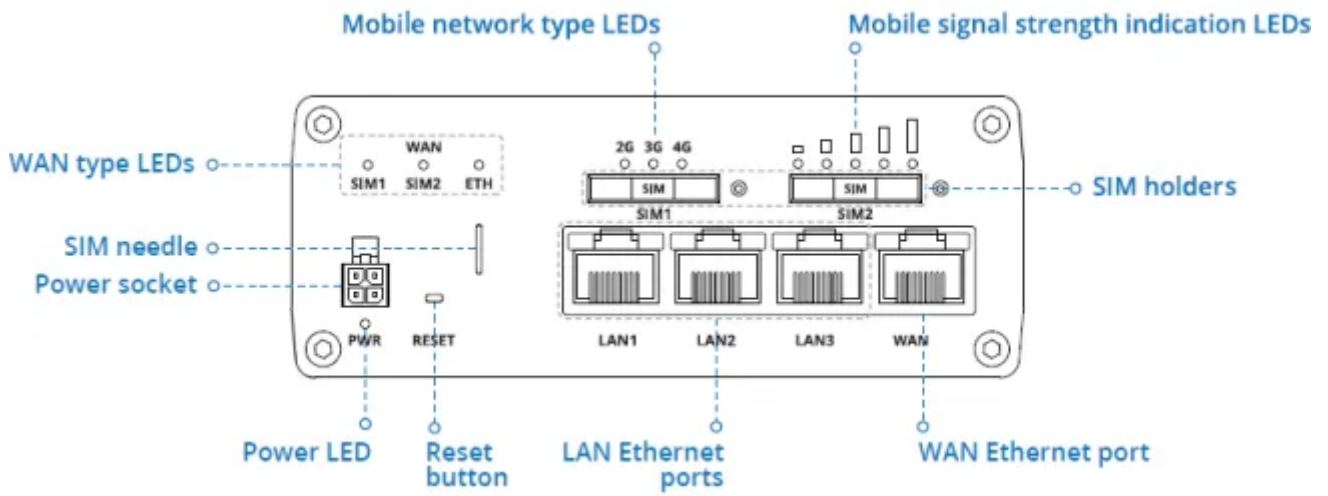
IO Connector	Quantity
USB-A 2.0	1
GPIO 4-Pin	1

Power Specifications

Max. Consumption:	9 W
Power Options:	DC Power Input Power over Ethernet

Power Connector	Min. Input Voltage	Max. Input Voltage	Voltage Type
Terminal Block, 4-Position	9 V	50 V	DC

Drawing



Disclaimer: Although care has been taken to ensure the accuracy, completeness and reliability of the information provided, Powertec assumes no responsibility therefore. The user of the information agrees that the information is subject to change without notice. Powertec assumes no responsibility for the consequences of use of such information, nor for any infringement of third party intellectual property rights which may result from its use. IN NO EVENT SHALL POWERTEC BE LIABLE FOR ANY DIRECT, INDIRECT, SPECIAL, OR INCIDENTAL DAMAGE RESULTING FROM, ARISING OUT OF OR IN CONNECTION WITH THE USE OF THE INFORMATION.

