

# Teltonika RUT241 Compact Industrial 4G Router

SKU: M2M-TE-00057

MPN: RUT241

Barcode: 4779051840151

## Description

RUT241 is a compact, cost-effective and secure industrial 4G/LTE WiFi router for professional applications. The mobile router delivers high performance for mission-critical cellular communication in harsh and hazardous environments where a wide operating temperature is required.

Equipped with an external SIM holder, digital input/output and signal strength status LEDs, it ensures easy network deployment and management. External SMA connectors make it possible to attach desired antennas and easily find the best signal location.

RUT240 Industrial LTE router supports industry leading security features and is widely used for 4G backup, Remote Connection, Out-of-Band Management, Advanced VPN and tunneling services in IoT networking solutions.

[Read More](#)

[Network Interfaces](#)

[Wireless Interfaces](#)



## Teltonika

In 21 years we have launched to mass production over 100 different devices in IoT, Networking, Connected vehicles, Asset and personal Tracking areas. That makes over 8.600.000 million devices sold worldwide in over 150 different countries. Although these numbers are impressive, Teltonika is more than that – we are about innovating, inspiring, connecting, educating and reliable partnership.

By ...

# Cellular Module

Technologies: 4G LTE

Failover: Automatic

## 4G LTE Specifications

MIMO: 2x2 MIMO DL Category: Cat 4

LTE Bands: B1

B3

,

B5

,

B7

,

B8

,

B28

,

B40

## SIM Cards

| Quantity | SIM Type           |
|----------|--------------------|
| 1        | Standard SIM (2FF) |

## Modem RF Connectors

| RF Connector Function | Quantity | RF Interface |
|-----------------------|----------|--------------|
| Cellular              | 2        | SMA Female   |

# WiFi Module

|                  |          |               |    |
|------------------|----------|---------------|----|
| No. Radios:      | 1        | Max. Clients: | 50 |
| Max. Throughput: | 150 Mb/s | No. Antennas: | 2  |

## WiFi Radios

| Radio Name (Optional) | WiFi Standard | Frequency Bands | MIMO     |
|-----------------------|---------------|-----------------|----------|
| Radio A               | 802.11n       | 2.4 GHz         | 1x1 SISO |

## WiFi RF Connectors

| RF Connector Function | Quantity | RF Interface  |
|-----------------------|----------|---------------|
| WiFi                  | 1        | RP-SMA Female |

## Ethernet Interfaces

| Interface   | Quantity | Function | Signalling            | PoE Input   |
|-------------|----------|----------|-----------------------|-------------|
| RJ45 Copper | 1        | LAN      | 100BASE-T, 1000BASE-T | Passive PoE |
| RJ45 Copper | 1        | WAN/LAN  | 100BASE-T, 1000BASE-T |             |

# Physical Specification

|                             |        |                            |                               |
|-----------------------------|--------|----------------------------|-------------------------------|
| Subtype:                    | Router | Dimensions:                | 83 × 74 × 25 mm               |
| Min. Operating Temperature: | -40 °C | Weight:                    | 125 g                         |
| Max. Operating Temperature: | 75 °C  | Materials:                 | Aluminium                     |
| Ingress Protection:         | IP30   | Mounting:                  | Teltonika Modem Screw Pattern |
|                             |        | Compliance/Certifications: | CE                            |
|                             |        |                            | ,                             |
|                             |        |                            | R-NZ                          |
|                             |        |                            | ,                             |
|                             |        |                            | RCM                           |
|                             |        |                            | ,                             |
|                             |        |                            | RoHS                          |

## IO Interfaces

| IO Connector | Quantity |
|--------------|----------|
| GPIO 4-Pin   | 1        |

## Power Specifications

Max. Consumption: 6.5 W

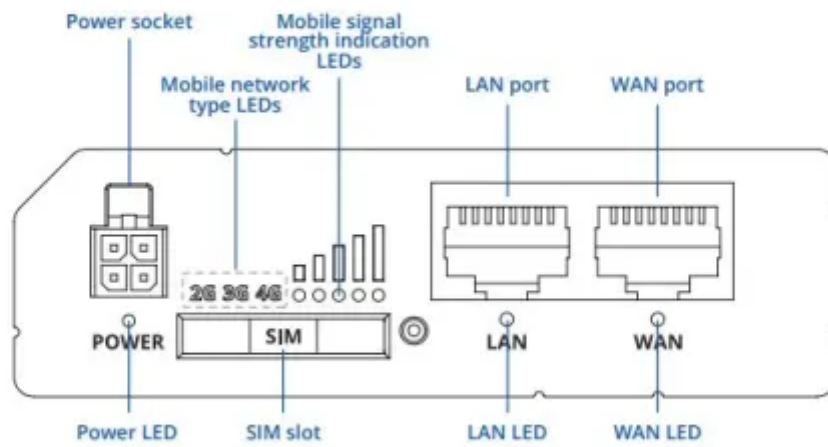
Power Options: DC Power Input  
Power over Ethernet

Power Interface

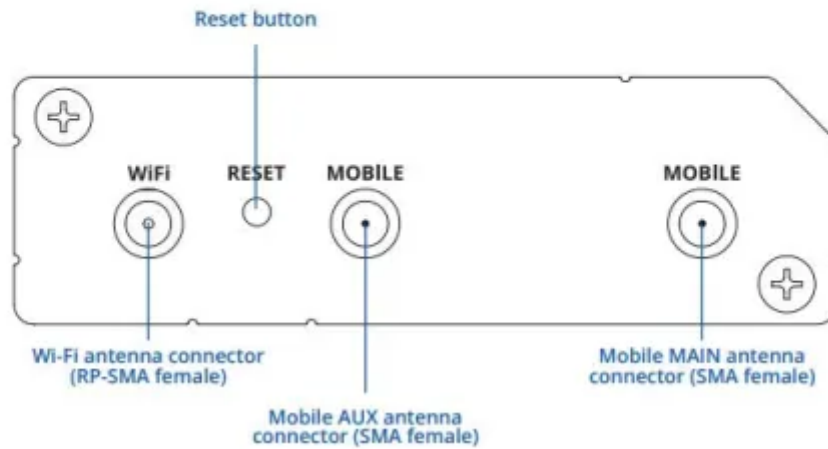
| Power Connector               | Nominal Voltage | Min. Input Voltage | Max. Input Voltage | Voltage Type |
|-------------------------------|-----------------|--------------------|--------------------|--------------|
| Molex, 4-Pin Square Micro-Fit | 12 V            | 9 V                | 30 V               | DC           |

## Drawing

### FRONT VIEW



### BACK VIEW



Disclaimer: Although care has been taken to ensure the accuracy, completeness and reliability of the information provided, Powertec assumes no responsibility therefore. The user of the information agrees that the information is subject to change without notice. Powertec assumes no responsibility for the consequences of use of such information, nor for any infringement of third party intellectual property rights which may result from its use. IN NO EVENT SHALL POWERTEC BE LIABLE FOR ANY DIRECT, INDIRECT, SPECIAL, OR INCIDENTAL DAMAGE RESULTING FROM, ARISING OUT OF OR IN CONNECTION WITH THE USE OF THE INFORMATION.

