

# Teltonika RUT951 Industrial 4G Router

SKU: M2M-TE-00058

MPN: RUT951

Barcode: 4779051840168

## Description

RUT951 is a professional industrial 4G LTE Wi-Fi router for IoT applications. The unit is simple, cost effective, with an open-source Linux operating system.

Remote management platform RMS ready to deliver the value of M2M and IoT networking applications. Router equipped with four Ethernet ports, external 2xSIM holders, digital input/output and signal strength status LEDs indicators.

External SMA antenna connectors make it possible to attach desired antennas. RUT951 is a professional Cat 4 LTE router empowered by RutOS a unified operating system for all Teltonika routers for the most demanding mobile networking applications. Ensure your business continuity with Dual-SIM and 4G failover.



## Network Interfaces

## Wireless Interfaces



## Teltonika

In 21 years we have launched to mass production over 100 different devices in IoT, Networking, Connected vehicles, Asset and personal Tracking areas. That makes over 8.600.000 million devices sold worldwide in over 150 different countries. Although these numbers are impressive, Teltonika is more than that – we are about innovating, inspiring, connecting, educating and reliable partnership.

By ...

# Cellular Module

Technologies: 4G LTE

Failover: Automatic

## 4G LTE Specifications

MIMO: 2x2 MIMO DL Category: Cat 4

LTE Bands: B1

B3

,

B4

,

B5

,

B7

,

B8

,

B28

,

B40

## SIM Cards

Quantity	SIM Type
2	Standard SIM (2FF)

## Modem RF Connectors

RF Connector Function	Quantity	RF Interface
Cellular	2	SMA Female

# WiFi Module

No. Radios: 1 Max. Clients: 100

No. Antennas: 2

## WiFi RF Connectors

RF Connector Function	Quantity	RF Interface
WiFi	2	RP-SMA Female

## Ethernet Interfaces

Interface	Quantity	Function	Signalling	PoE Input
RJ45 Copper	3	LAN	100BASE-T, 1000BASE-T	Passive PoE
RJ45 Copper	1	LAN/WAN	100BASE-T, 1000BASE-T	

# Physical Specification

Subtype: Router Dimensions: 110 × 100 × 50 mm

Min. Operating Temperature: -40 °C Weight: 287 g

Max. Operating Temperature: 75 °C Materials: Aluminium

Ingress Protection: IP30 Mounting: Teltonika Modem Screw Pattern

Compliance/Certifications: CE

R-NZ

RCM

RoHS

## IO Interfaces

IO Connector	Quantity
GPIO 4-Pin	1

## Power Specifications

Max. Consumption: 7 W

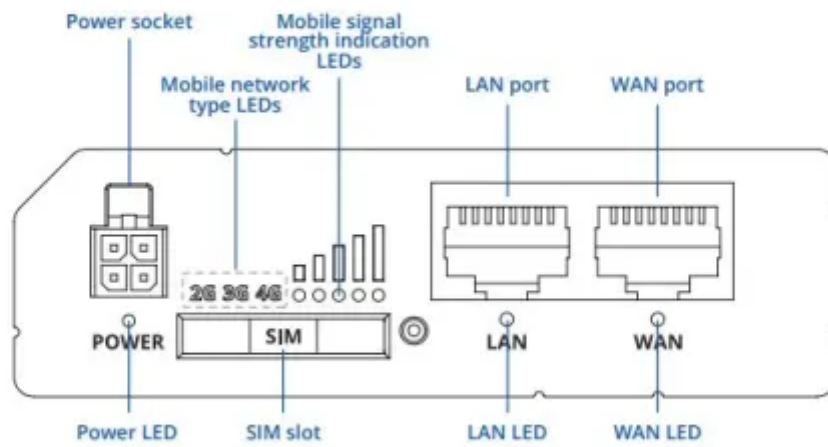
Power Options: DC Power Input  
Power over Ethernet

Power Interface

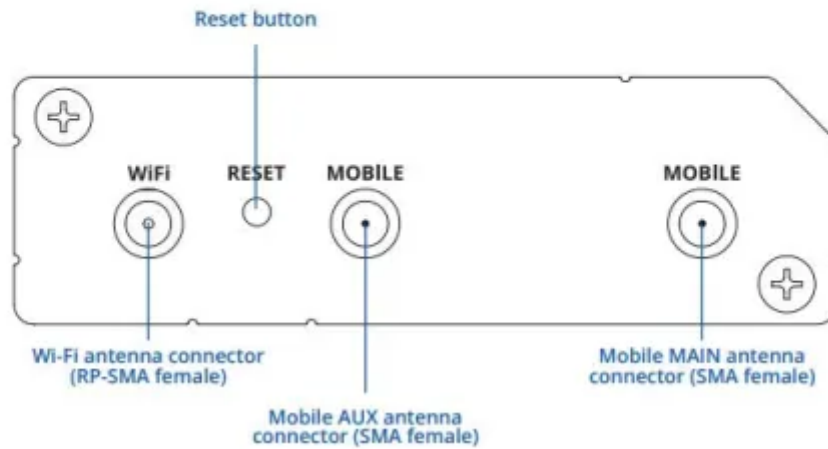
Power Connector	Nominal Voltage	Min. Input Voltage	Max. Input Voltage	Voltage Type
Molex, 4-Pin Square Micro-Fit	12 V	9 V	30 V	DC

## Drawing

### FRONT VIEW



### BACK VIEW



Disclaimer: Although care has been taken to ensure the accuracy, completeness and reliability of the information provided, Powertec assumes no responsibility therefore. The user of the information agrees that the information is subject to change without notice. Powertec assumes no responsibility for the consequences of use of such information, nor for any infringement of third party intellectual property rights which may result from its use. IN NO EVENT SHALL POWERTEC BE LIABLE FOR ANY DIRECT, INDIRECT, SPECIAL, OR INCIDENTAL DAMAGE RESULTING FROM, ARISING OUT OF OR IN CONNECTION WITH THE USE OF THE INFORMATION.

