

Multi-Axis Billet Base for AL220/AL340 Tower Series

MPN: AP-ALT-MAB

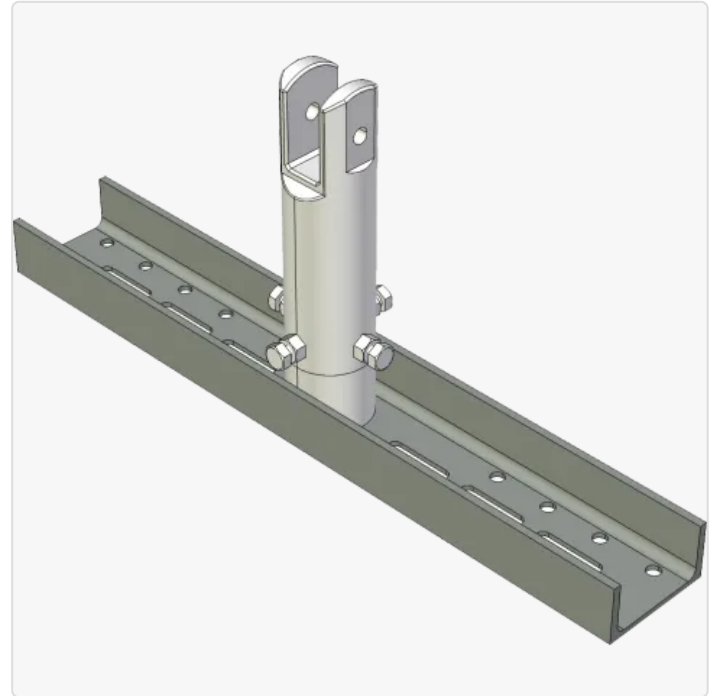
Description

The AP-ALT-MAB is a multi-axis interface bracket that allows an AL220 tower module or AL340 reducer module to attach to a roof structure or flat surface. The billet hinge can be rotated a full 360°, allowing the tower to be raised and lowered in any direction, as well as being installed on sloped/pitched surfaces.

It is required to construct aluminium lattice towers that are to be installed on tin rooftops using screws or dynabolted into concrete. It has a 76.2 mm solid structural grade billet that has been machined into a clevis-fork that accepts the clevis-eye present on AL220 base modules, AL340 reducer modules, and other APAC products.

A Class 8.8 M12 Bolt and Nyloc is used as a pin to secure the two clevis components, however thanks to the precision machining, the structural load is directed through the billet-formed clevis rather than the bolt. This design strategy significantly minimises reliance on the bolt for load-bearing ...

[Read More](#)



APAC Infrastructure

APAC Infrastructure is an Australian metal fabrication company dedicated to high tech industries in the commercial, industrial, and defence sectors. Our team is committed to evolving our solutions to meet the rapidly changing needs of our rapidly changing world, ensuring your team deliver solutions at the very forefront of technological development. APAC develops made-to-measure height systems for ...

Disclaimer: Although care has been taken to ensure the accuracy, completeness and reliability of the information provided, Powertec assumes no responsibility therefore. The user of the information agrees that the information is subject to change without notice. Powertec assumes no responsibility for the consequences of use of such information, nor for any infringement of third party intellectual property rights which may result from its use. IN NO EVENT SHALL POWERTEC BE LIABLE FOR ANY DIRECT, INDIRECT, SPECIAL, OR INCIDENTAL DAMAGE RESULTING FROM, ARISING OUT OF OR IN CONNECTION WITH THE USE OF THE INFORMATION.

