

CommScope ASHF-D D-Class 4.3-10 Female for 7/8 in AVA5-50 and AVA5-50FX cable

SKU: ACC-CS-00059
 MPN: A5HF-D

Description

The CommScope ASHF-D D-Class 4.3-10 Female RF Connector (SKU: ACC-CS-00059, Part Number: A5HF-D) is designed for use with 7/8" AVA5-50 and AVA5-50FX coaxial cables. Featuring a straight, free-hanging design, it employs a captivated attachment mechanism for secure cable connections. Constructed with a brass body plated in white bronze and copper alloy inner contacts with silver plating, this robust connector ensures durability and optimal conductivity.

The ASHF-D supports over 50 mating cycles and operates effectively within a temperature range of -40°C to 85°C. It accommodates frequencies from 0 GHz to 5000 GHz, with a 3rd Order PIM rating of ≤ -166 dBc, ensuring minimal signal interference. Electrical specifications include an inner contact resistance of ≤ 0 m Ω and an outer contact resistance of ≤ 2 m Ω , with an impedance of 50 Ω and insulation resistance of ≥ 5000 m Ω . It can handle peak power up to 40 kW and an RF operating voltage of $\leq \dots$

[Read More](#)

[RF Connector Interface](#)



RF Interface	Body Shape	Mounting
4.3-10 Female	Straight	Free Hanging

RF Specification CommScope



CommScope (NASDAQ: COMM) helps design, build and manage wired and wireless networks around the world. As a communications infrastructure leader, we shape the always-on networks of tomorrow. For more than 40 years, our global team of greater than 20,000 employees, innovators and technologists have empowered customers in all regions of the world to anticipate what's next and push the boundaries of ...

Start Frequency:	0 GHz	Input Impedance:	50
Stop Frequency:	5000 GHz	Inner Contact Resistance:	≤ 0.4 mΩ
Peak Power:	40 kW	Insulation Resistance:	≥ 5000 mΩ
PIM, 3rd Order:	≤ -166 dBc	Outer Contact Resistance:	≤ 1.5 mΩ
		RF Operating Voltage:	≤ 1415 Vrms

VSWR Measurement

Frequency	VSWR	Return Loss
1000 MHz	≤ 1.02:1	≤ 40.09 dB
2700 MHz	≤ 1.04:1	≤ 33.94 dB
3800 MHz	≤ 1.07:1	≤ 30.04 dB

Physical Specification

Cable Group:	7/8 Corrugated	Conductor Attachment:	Cable, Captivated
Body Material:	Brass	Contact Material:	Copper Alloy
Body Plating:	White Bronze	Contact Plating:	Silver
Insulator Material:	PTFE / Teflon	Min. Operating Temperature:	-40 °C
Dimensions:	64.01 x 34.8	Max. Operating Temperature:	85 °C
Weight:	160.5 g	Ingress Protection:	IP68
Compliance/Certifications:	ISO 9001 Quality Management	Mating Cycles:	> 50

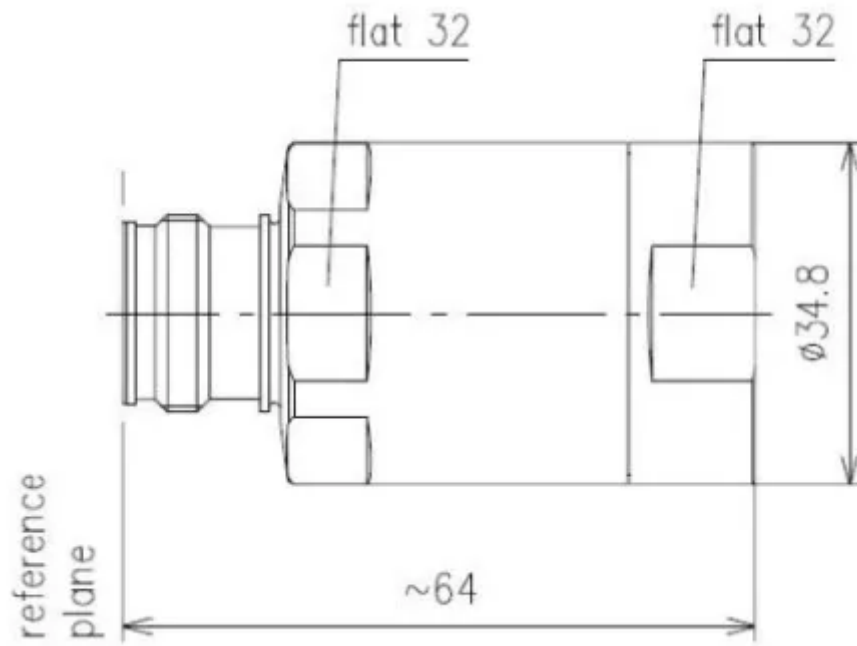
RoHS

Mechanical Compliance: IEC 60068-2-11: Salt Mist

IEC 60068-2-27: Mechanical Shock

IEC 60068-2-6: Vibration

Drawing



Disclaimer: Although care has been taken to ensure the accuracy, completeness and reliability of the information provided, Powertec assumes no responsibility therefore. The user of the information agrees that the information is subject to change without notice. Powertec assumes no responsibility for the consequences of use of such information, nor for any infringement of third party intellectual property rights which may result from its use. IN NO EVENT SHALL POWERTEC BE LIABLE FOR ANY DIRECT, INDIRECT, SPECIAL, OR INCIDENTAL DAMAGE RESULTING FROM, ARISING OUT OF OR IN CONNECTION WITH THE USE OF THE INFORMATION.

