

Huang Liang SMA Male to SMA Male Adapter, Precision 26.5 GHz

SKU: ACC-HL-00073

MPN: 101-A010.188

Description

The Huang Liang SMA Male to SMA Male Adapter, Part Number 101-A010.188, is a high-precision RF adapter designed for 50 Ω coaxial connections, operating up to 26.5 GHz. This adapter features SMA Male interfaces on both ends, each with a straight body shape and free hanging mounting, making it compatible with SMA Female interfaces.

Constructed from 303 Stainless Steel with a passivated finish, and utilizing Beryllium Copper inner contacts with gold plating, this adapter ensures durability and reliable performance. Its operational temperature range spans from -65 °C to 165 °C, making it suitable for various demanding environments.

Manufactured in compliance with ISO 9001 Quality Management and RoHS standards, this adapter is ideal for applications in military, telecommunications, and aerospace industries. With over 30 years of experience, Huang Liang is a trusted name in RF technology, offering expert engineering support and high-quality...

[Read More](#)



Huang Liang



Huang Liang is a Taiwanese manufacturer of precision coaxial connectors, adapters and cable assemblies. The company provide solutions to different industries including military, telecommunications, and aerospace.

Over 30 years of experience in developing and designing RF products, Huang Liang has overcome many challenges, resulting in unmatched expertise in the field of RF technology. Huang Liang ...

RF Connector Interface

RF Interface	Body Shape	Mounting
SMA Male	Straight	Free Hanging
SMA Male	Straight	Free Hanging

RF Specification

Start Frequency:	0 GHz	Input Impedance:	50
Stop Frequency:	26.5 GHz	Inner Contact Resistance:	$\leq 6 \text{ m}\Omega$
RF Operating Voltage:	$\geq 500 \text{ Vrms}$	Insulation Resistance:	$\geq 5000 \text{ m}\Omega$
		Outer Contact Resistance:	$\leq 2 \text{ m}\Omega$

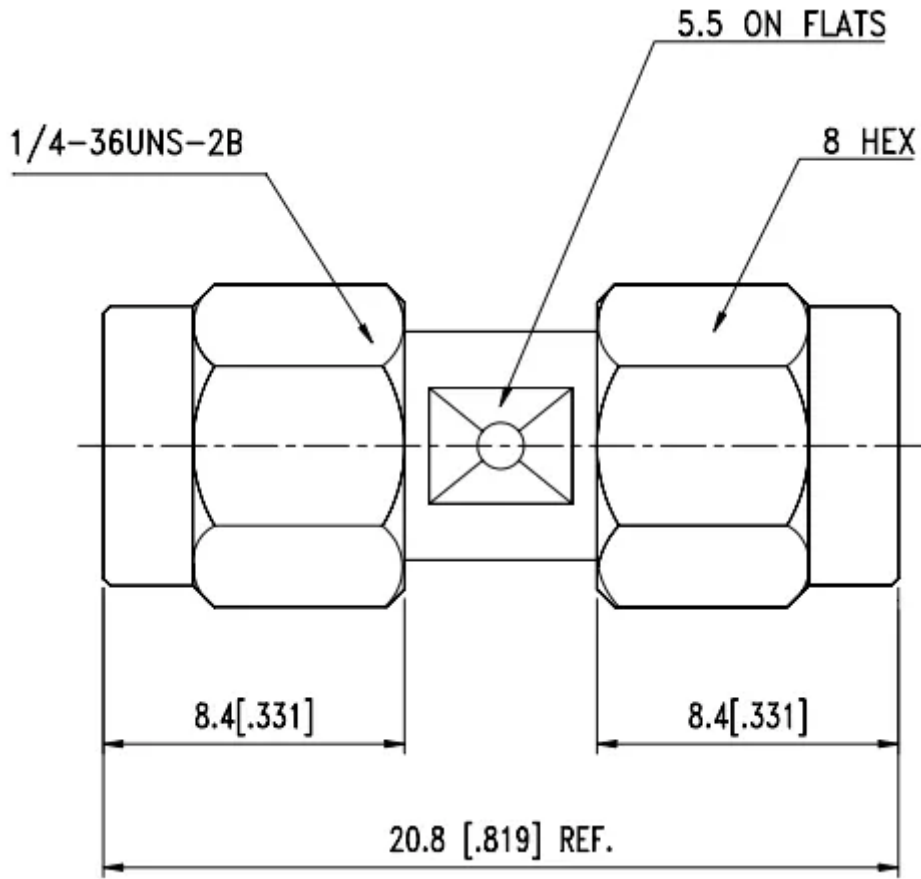
VSWR Measurement

Frequency	VSWR	Insertion Loss
26500 MHz	$\leq 1.25:1$	0.36 dB

Physical Specification

Body Material:	Stainless Steel (303)	Contact Material:	Beryllium Copper
Body Plating:	Passivated	Contact Plating:	Gold
Insulator Material:	PTFE / Teflon	Min. Operating Temperature:	-65 °C
Dimensions:	20.8 x 8	Max. Operating Temperature:	165 °C
Compliance/Certifications:	ISO 9001 Quality Management	Mating Cycles:	> 500
RoHS			

Drawing



Disclaimer: Although care has been taken to ensure the accuracy, completeness and reliability of the information provided, Powertec assumes no responsibility therefore. The user of the information agrees that the information is subject to change without notice. Powertec assumes no responsibility for the consequences of use of such information, nor for any infringement of third party intellectual property rights which may result from its use. IN NO EVENT SHALL POWERTEC BE LIABLE FOR ANY DIRECT, INDIRECT, SPECIAL, OR INCIDENTAL DAMAGE RESULTING FROM, ARISING OUT OF OR IN CONNECTION WITH THE USE OF THE INFORMATION.

