

Telegartner 4.3-10 straight plug, Screw Type, clamp/clamp, G23 (1/2" Flex), SIMFix Pro

SKU: ACC-TG-00009
 MPN: 100025183

Description

The Telegartner 4.3-10 straight plug is a high-performance coaxial RF connector designed for use in telecommunications and data communication systems. It is ideal for applications requiring reliable signal transmission and minimal interference, such as base stations and wireless infrastructure. This connector is compatible with 1/2" flexible corrugated cables, providing a secure connection through its screw-type, clamp-clamp attachment. The robust design ensures durability, with a brass body and white bronze plating for corrosion resistance, while the copper alloy inner contacts ensure excellent conductivity.

Engineered to operate within a frequency range of 0 to 6.0 GHz, the connector maintains a low VSWR of $\leq 1.03:1$ and a return loss of ≤ 36 dB at 2000 MHz, ensuring minimal signal loss. Its third-order Passive Intermodulation (PIM) rating of ≤ -155 dBc highlights its suitability for high-frequency applications where signal integrity is...

[Read More](#)

[RF Connector Interface](#)



RF Interface	Body Shape	Mounting
4.3-10 Male	Straight	Free Hanging

RF Specification Telegartner



As family-owned company the Telegartner Group has developed to an international network of affiliated companies specialising in intermediate and end products for telecommunications and data communications for customers with the most exacting demands for high-tech applications over the last 70 years.

Since the company was set up in 1945 Telegartner has seen steady growth and has continually expanded ...

Start Frequency:	0 GHz	Input Impedance:	50
Stop Frequency:	6 GHz	Inner Contact Resistance:	$\leq 1 \text{ m}\Omega$
Peak Power:	0.1 kW	Insulation Resistance:	$\geq 5000 \text{ m}\Omega$
PIM, 3rd Order:	$\leq -155 \text{ dBc}$	Outer Contact Resistance:	$\leq 0.5 \text{ m}\Omega$
		RF Operating Voltage:	$\leq 1000 \text{ Vrms}$

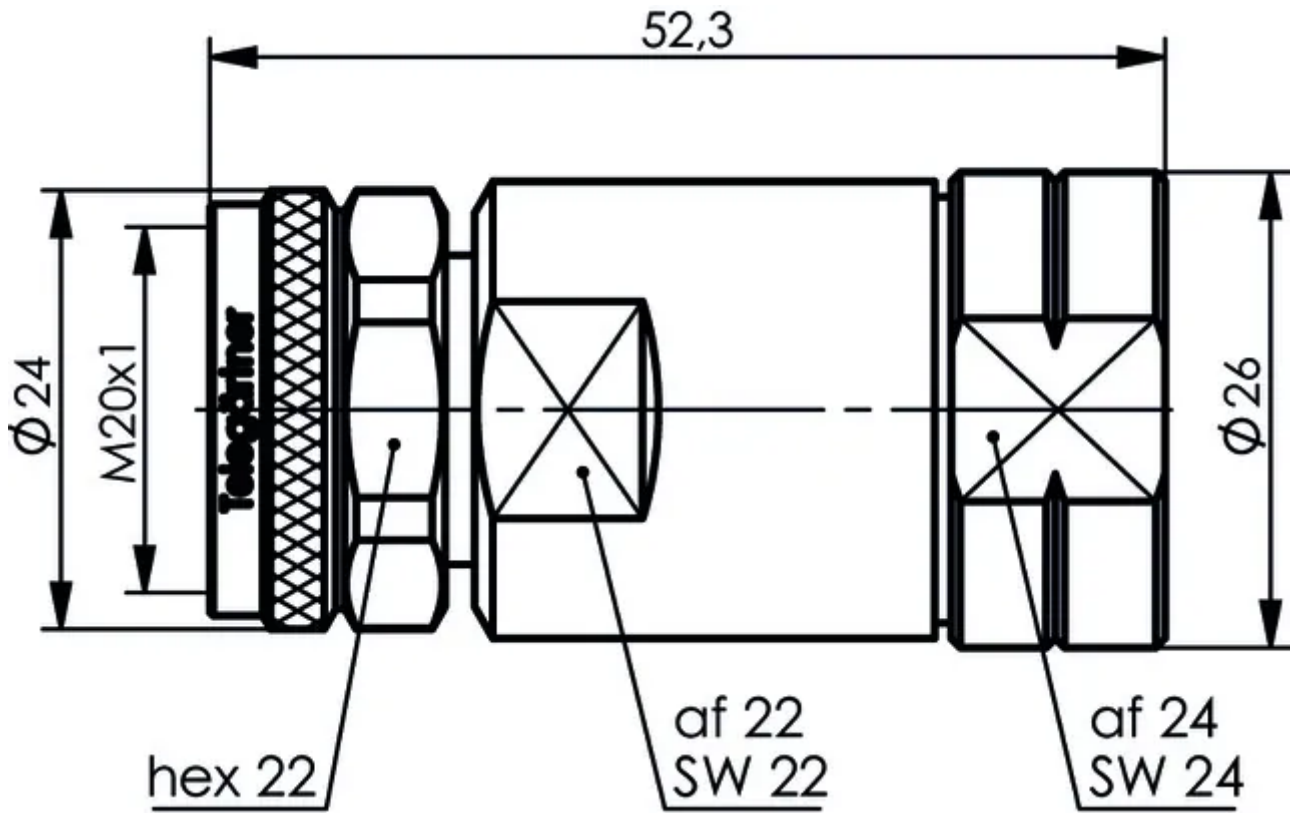
VSWR Measurement

Frequency	VSWR	Return Loss	Insertion Loss
2000 MHz	$\leq 1.03:1$	$\leq 36 \text{ dB}$	0.1 dB

Physical Specification

Cable Group:	1/2 Corrugated	Conductor Attachment:	Cable, Captivated
Body Material:	Brass	Contact Material:	Copper Alloy, Brass
Body Plating:	White Bronze	Contact Plating:	Copper-Silver Alloy (Cu2Ag5 / Cu2Ag3)
Insulator Material:	PTFE / Teflon	Min. Operating Temperature:	-40 °C
Dimensions:	56.2 x 24	Max. Operating Temperature:	85 °C
Weight:	134 g	Ingress Protection:	IP68
Compliance/Certifications:	RoHS	Mating Cycles:	> 100

Drawing



Disclaimer: Although care has been taken to ensure the accuracy, completeness and reliability of the information provided, Powertec assumes no responsibility therefore. The user of the information agrees that the information is subject to change without notice. Powertec assumes no responsibility for the consequences of use of such information, nor for any infringement of third party intellectual property rights which may result from its use. IN NO EVENT SHALL POWERTEC BE LIABLE FOR ANY DIRECT, INDIRECT, SPECIAL, OR INCIDENTAL DAMAGE RESULTING FROM, ARISING OUT OF OR IN CONNECTION WITH THE USE OF THE INFORMATION.

