

Telegärtner 4.3-10 straight plug, Screw Type, clamp/clamp, G21 (1/2"), SIMFix Pro

SKU: ACC-TG-00013
 MPN: 100033386

Description

The Telegärtner 4.3-10 straight plug is a high-performance coaxial RF connector, designed for reliable connections in telecommunications and data communications systems. This connector is utilised primarily for attaching 1/2" corrugated cable types, making it ideal for applications requiring robust and stable signal transmission. The screw-type, clamp/clamp design ensures secure and easy installation, facilitating its use in environments where quick and efficient setups are essential.

Constructed with a brass body and copper-silver alloy plating, the connector offers excellent durability and corrosion resistance, ensuring a long service life even in harsh conditions. Its electrical insulator made of Topas COC contributes to superior insulation properties. The connector's capacity to withstand over 100 mating cycles and operate within a wide temperature range of -40 °C to 85 °C makes it suitable for both indoor and outdoor installations.

O...

[Read More](#)

RF Connector Interface



RF Interface	Body Shape	Mounting
4.3-10 Male	Straight	Free Hanging

Telegärtner RF Specification

As family-owned company the Telegärtner Group has developed to an international network of affiliated companies specialising in intermediate and end products for telecommunications and data communications for customers with the most exacting demands for high-tech applications over the last 70 years.

Since the company was set up in 1945 Telegärtner has seen steady growth and has continually expanded ...

Start Frequency:	0 GHz	Input Impedance:	50
Stop Frequency:	6 GHz	Inner Contact Resistance:	≤ 1 mΩ
Peak Power:	1 kW	Insulation Resistance:	≥ 5000 mΩ
PIM, 3rd Order:	≤ -155 dBc	Outer Contact Resistance:	≤ 0.5 mΩ
		RF Operating Voltage:	≤ 2500 Vrms

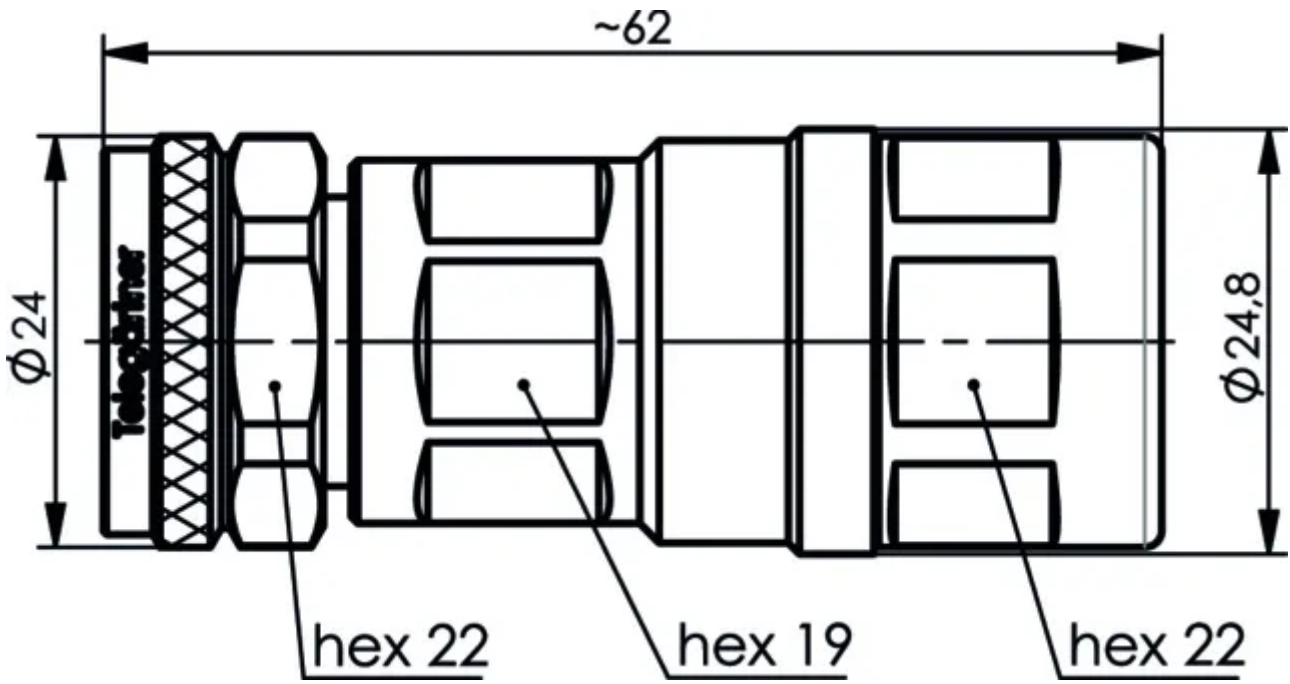
VSWR Measurement

Frequency	Return Loss	Insertion Loss
2000 MHz	≤ 36 dB	0.1 dB
4000 MHz	≤ 32 dB	
6000 MHz	≤ 28 dB	

Physical Specification

Cable Group:	1/2 Corrugated	Conductor Attachment:	Cable, Captivated
Body Material:	Brass	Contact Material:	Copper Alloy
Body Plating:	Copper-Silver Alloy (Cu2Ag5 / Cu2Ag3)	Contact Plating:	Copper-Silver Alloy (Cu2Ag5 / Cu2Ag3)
Insulator Material:	Topas COC	Min. Operating Temperature:	-40 °C
Dimensions:	62 x 24.8 mm	Max. Operating Temperature:	85 °C
Compliance/Certifications:	RoHS	Ingress Protection:	IP68
		Mating Cycles:	> 100

Drawing



Disclaimer: Although care has been taken to ensure the accuracy, completeness and reliability of the information provided, Powertec assumes no responsibility therefore. The user of the information agrees that the information is subject to change without notice. Powertec assumes no responsibility for the consequences of use of such information, nor for any infringement of third party intellectual property rights which may result from its use. IN NO EVENT SHALL POWERTEC BE LIABLE FOR ANY DIRECT, INDIRECT, SPECIAL, OR INCIDENTAL DAMAGE RESULTING FROM, ARISING OUT OF OR IN CONNECTION WITH THE USE OF THE INFORMATION.

