

Telegartner N Straight Plug Crimp RG-214/U crimp/crimp

SKU: ACC-TG-00015
 MPN: 100023908

Description

The Telegartner N Straight Plug Crimp RG-214/U is a high-performance coaxial RF connector, designed for professional telecommunications and data communication applications. This N Male connector features a straight body shape and is ideal for free-hanging mounting, providing a reliable connection for RG-214 cable types. Utilising a crimp attachment mechanism, it ensures secure and stable connectivity, making it suitable for high-tech environments where signal integrity is crucial.

Constructed from a durable lead-brass alloy with CuSnZn3 plating, the connector offers excellent resistance to environmental factors, enhancing its longevity and performance in demanding conditions. The inner contacts are plated with a copper-silver alloy, providing optimal conductivity and minimal signal loss. The PTFE/Teflon electrical insulator further enhances its thermal and electrical stability, allowing it to operate efficiently over a wide range of...

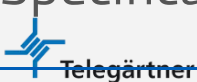
[Read More](#)

[RF Connector Interface](#)



RF Interface	Body Shape	Mounting
N Male	Straight	Free Hanging

RF Specification Telegartner



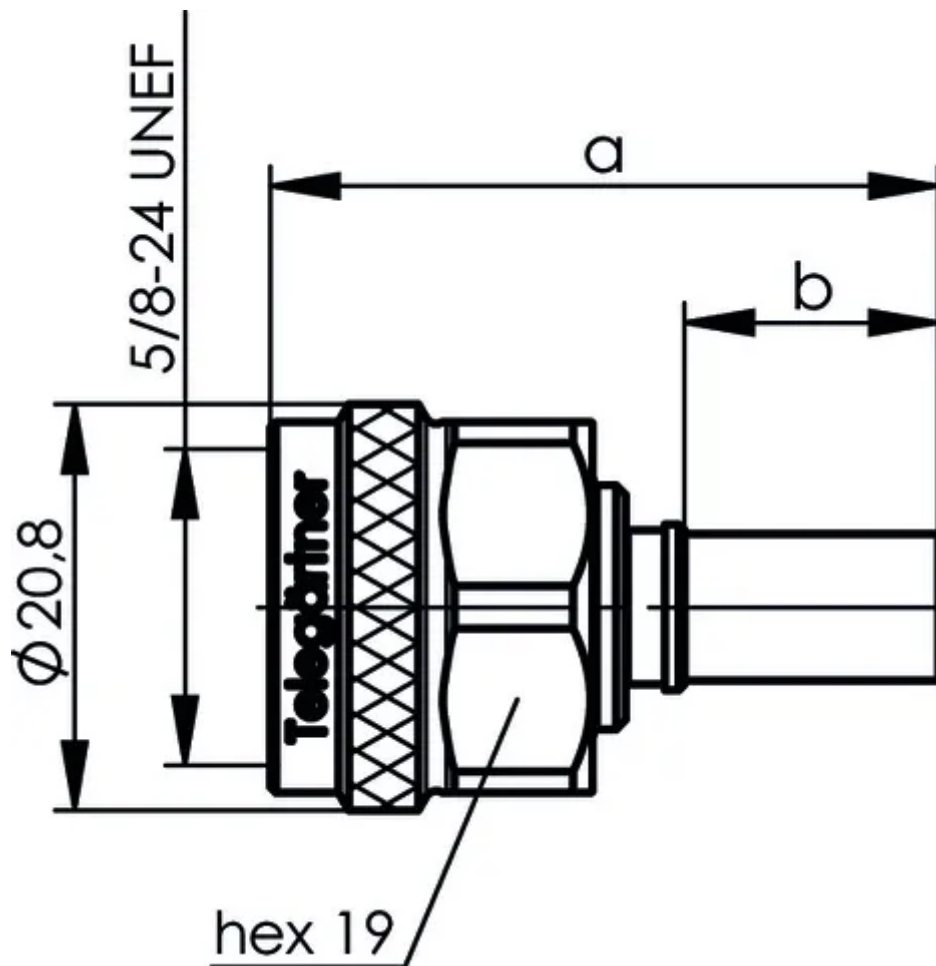
As family-owned company the Telegartner Group has developed to an international network of affiliated companies specialising in intermediate and end products for telecommunications and data communications for customers with the most exacting demands for high-tech applications over the last 70 years.

Since the company was set up in 1945 Telegartner has seen steady growth and has continually expanded ...

Physical Specification

Cable Group:	RG-214	Conductor Attachment:	Cable, Crimp
Body Material:	Lead-Brass Alloy (CuZn39Pb3)	Contact Material:	Lead-Brass Alloy (CuZn39Pb3)
Body Plating:	CuSnZn3	Contact Plating:	Copper-Silver Alloy (Cu2Ag5 / Cu2Ag3)
Insulator Material:	PTFE / Teflon		
Dimensions:	36.6 x 20.8		

Drawing



Disclaimer: Although care has been taken to ensure the accuracy, completeness and reliability of the information provided, Powertec assumes no responsibility therefore. The user of the information agrees that the information is subject to change without notice. Powertec assumes no responsibility for the consequences of use of such information, nor for any infringement of third party intellectual property rights which may result from its use. IN NO EVENT SHALL POWERTEC BE LIABLE FOR ANY DIRECT, INDIRECT, SPECIAL, OR INCIDENTAL DAMAGE RESULTING FROM, ARISING OUT OF OR IN CONNECTION WITH THE USE OF THE INFORMATION.

