

# Huber+Suhner 3G-4G Sencity Road Antenna, 2x2 MIMO

SKU: ANT-HS-00001

MPN: 1399.99.0119

## Description

The Huber+Suhner 3G-4G Sencity Road Antenna, featuring 2x2 MIMO technology, is designed for high-performance communication in challenging environments. This fin/stud/combo antenna, part number 1399.99.0119, is built with durable aluminium and ASA plastic, ensuring robustness and longevity. Certified to an IP69 ingress protection rating, it withstands extreme temperatures from -40°C to 85°C, making it ideal for demanding outdoor applications such as roadside installations and transportation systems.

With two input ports, the antenna supports 2 RF connections, providing reliable connectivity across a wide frequency range of 698 MHz to 2690 MHz. It delivers impressive RF performance with peak gains of up to 6.0 dBi and maintains inter-port isolation above 12 dB, ensuring minimal interference and optimal signal clarity. The antenna's 50 Ω impedance supports power inputs up to 80 W, making it suitable for high-capacity data transmission.

The...

[Read More](#)



## RF Specification

### Port 1



### Huber+Suhner

The global Swiss company HUBER+SUHNER develops and manufactures components and system solutions for electrical and optical transportation of data and energy. The company serves customers in the Communication, Transportation and Industrial markets with cables, connectors, cable systems, antennas and other passive components relying on its expertise in radio frequency, fiber optics and low frequency ...

Start Frequency: 698 MHz      Polarisation: Vertical (V)

Stop Frequency: 2690 MHz      Input Impedance: 50

Max. Input Power: 80 W

#### RF Connectors

Ports	RF Interface	Body Shape	Cable Series	Length
1	SMA Male	Straight	RG-316	170 mm

#### Frequency Test Data

Start Freq.	Stop Freq.	Peak Gain	VSWR	Inter-Port Iso.
698 MHz	790 MHz	4 dBi	< 2.2:1	> 12 dB
790 MHz	960 MHz	4 dBi	< 2:1	> 12 dB
1710 MHz	2170 MHz	6 dBi	< 2:1	> 15 dB
2400 MHz	2690 MHz	6 dBi	< 2:1	> 15 dB

## Port 2

Start Frequency: 698 MHz      Polarisation: Vertical (V)

Stop Frequency: 2690 MHz      Input Impedance: 50

Max. Input Power: 50 W

#### RF Connectors

Ports	RF Interface	Body Shape	Cable Series	Length
1	SMA Male	Straight	RG-316	230 mm

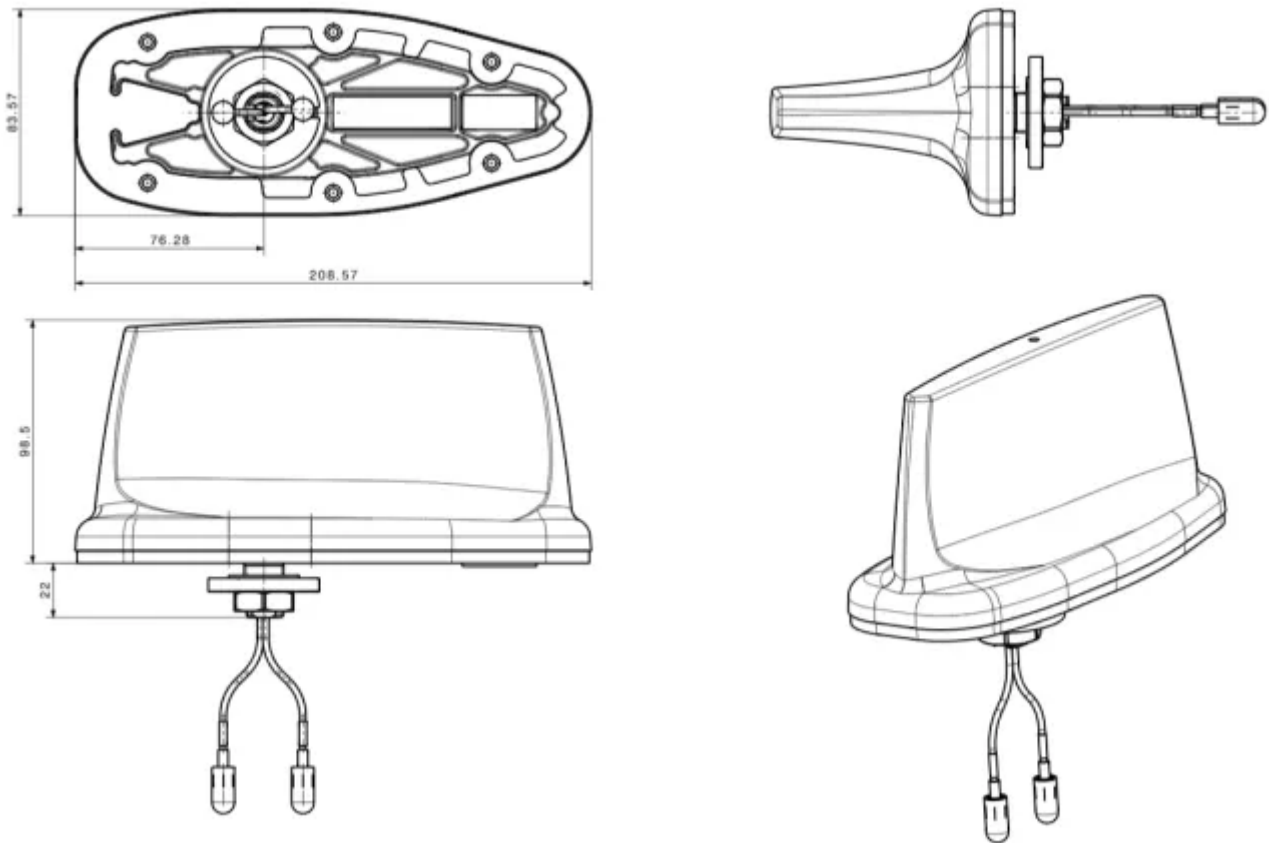
#### Frequency Test Data

Start Freq.	Stop Freq.	Peak Gain	VSWR	Inter-Port Iso.
698 MHz	790 MHz	4 dBi	< 2.2:1	> 12 dB
790 MHz	960 MHz	4 dBi	< 2:1	> 12 dB
1710 MHz	2170 MHz	6 dBi	< 2:1	> 15 dB
2400 MHz	2690 MHz	6 dBi	< 2:1	> 15 dB

# Physical Specification

Subtype:	Fin / Stud / Combo	Dimensions:	88 x 83 x 208
Input Ports:	2	Ingress Protection:	IP69
MIMO:	2x2 MIMO	Materials:	Aluminium, ASA Plastic
Min. Operating Temperature:	-40 °C	Mounting:	Stud / Bulkhead / Panel
Max. Operating Temperature:	85 °C	Weight:	0.4 kg
		Compliance/Certifications:	CE

## Drawing



Disclaimer: Although care has been taken to ensure the accuracy, completeness and reliability of the information provided, Powertec assumes no responsibility therefore. The user of the information agrees that the information is subject to change without notice. Powertec assumes no responsibility for the consequences of use of such information, nor for any infringement of third party intellectual property rights which may result from its use. IN NO EVENT SHALL POWERTEC BE LIABLE FOR ANY DIRECT, INDIRECT, SPECIAL, OR INCIDENTAL DAMAGE RESULTING FROM, ARISING OUT OF OR IN CONNECTION WITH THE USE OF THE INFORMATION.

