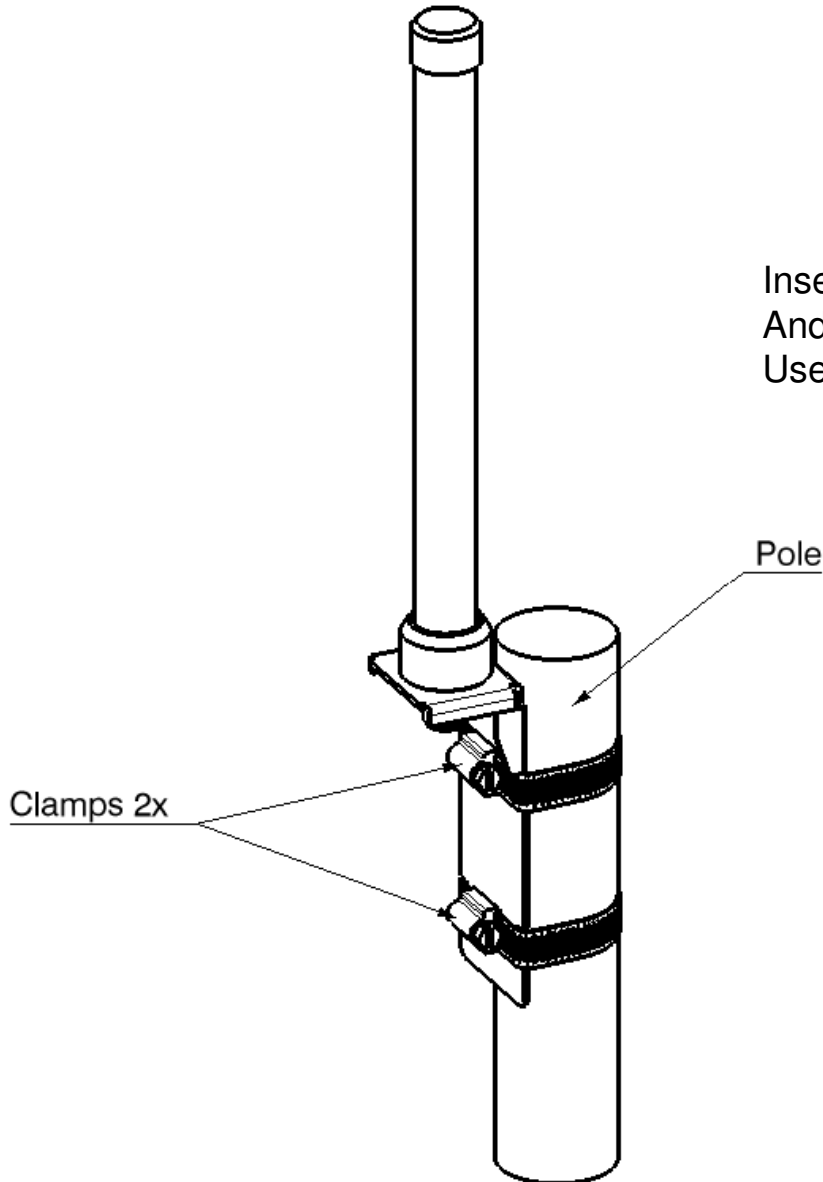


HUBER+SUHNER®
OMNI ANTENNA
FOR WIRELESS COMMUNICATION



Mounting Instruction



Insert the clamps into the bracket
And tighten it to the pole.
Use tightening torque of 3.5 Nm

Security instructions see HUBER+SUHNER document number DOC-0000278984.
The document can be ordered at HUBER+SUHNER AG, Switzerland.

HUBER+SUHNER is certified according to ISO 9001 and ISO 14001

WAIVER!

It is exclusively in written agreements that we provide our customers with warrants and representations as to the technical contained specifications and/or the fitness for any particular purpose. The facts and figures herein are carefully compiled to the best of our knowledge, but they are intended for general informational purposes only.

HUBER+SUHNER – Excellence in Connectivity Solutions



HUBER+SUHNER AG
RF Technology
9100 Herisau, Switzerland

Phone +41 (0)71 353 41 11
Fax +41 (0)71 353 47 51
www.hubersuhner.com

Document no. : DOC-0000296554
Item no. : 84079759
Revision B