

# L4HM-D

---



4.3-10 Male for 1/2 in AL4RPV-50, LDF4-50A, HL4RPV-50 cable

## Product Classification

<b>Product Type</b>	Wireless and radiating connector
<b>Product Brand</b>	HELIAX®
<b>Ordering Note</b>	CommScope® standard product (Global)

## General Specifications

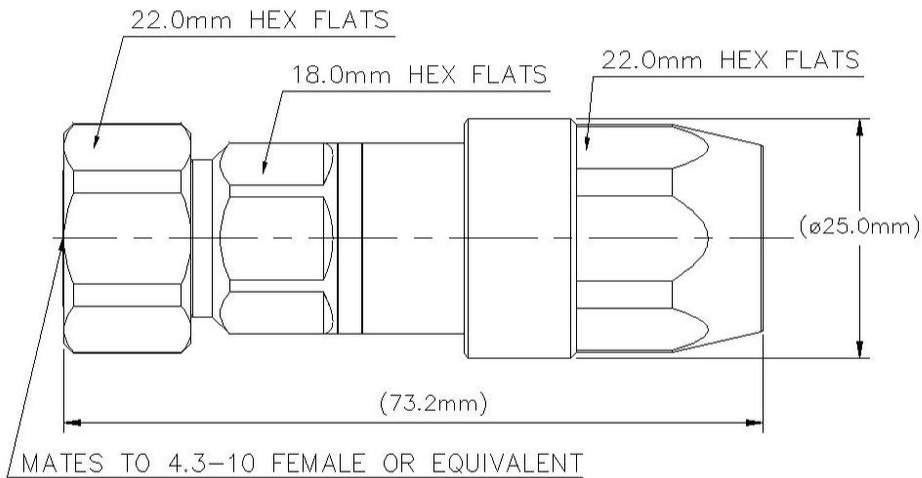
<b>Body Style</b>	Straight
<b>Cable Family</b>	LDF4-50A
<b>Inner Contact Attachment Method</b>	Captivated
<b>Inner Contact Plating</b>	Silver
<b>Interface</b>	4.3-10 Male
<b>Mounting Angle</b>	Straight
<b>Outer Contact Attachment Method</b>	Clamp
<b>Outer Contact Plating</b>	Trimetal

## Dimensions

<b>Length</b>	73.15 mm   2.88 in
<b>Diameter</b>	24.89 mm   0.98 in
<b>Nominal Size</b>	1/2 in

# L4HM-D

## Outline Drawing



## Electrical Specifications

<b>3rd Order IMD at Frequency</b>	-116 dBm @ 910 MHz
<b>3rd Order IMD Dynamic Test Method</b>	Two +43 dBm carriers
<b>Insertion Loss, typical</b>	0.05 dB
<b>Average Power at Frequency</b>	600.0 W @ 900 MHz
<b>Cable Impedance</b>	50 ohm
<b>Connector Impedance</b>	50 ohm
<b>dc Test Voltage</b>	2500 V
<b>Inner Contact Resistance, maximum</b>	1 mOhm
<b>Insulation Resistance, minimum</b>	5000 MOhm

# L4HM-D

---

<b>Operating Frequency Band</b>	0 – 8800 MHz
<b>Outer Contact Resistance, maximum</b>	1 mOhm
<b>Peak Power, maximum</b>	22.5 kW
<b>RF Operating Voltage, maximum (vrms)</b>	884 V
<b>Shielding Effectiveness</b>	-110 dB

## VSWR/Return Loss

<b>Frequency Band</b>	<b>VSWR</b>	<b>Return Loss (dB)</b>
45–1000 MHz	1.02	40.09
1000–2700 MHz	1.03	38
2700–3800 MHz	1.07	30
3800–6000 MHz	1.11	26

## Mechanical Specifications

<b>Attachment Durability</b>	25 cycles
<b>Connector Retention Tensile Force</b>	889.64 N   200 lbf
<b>Connector Retention Torque</b>	5.42 N-m   47.998 in lb
<b>Coupling Nut Proof Torque</b>	10 N-m   88.507 in lb
<b>Coupling Nut Retention Force</b>	449.98 N   101.16 lbf
<b>Interface Durability</b>	100 cycles
<b>Mechanical Shock Test Method</b>	IEC 60068-2-27

## Environmental Specifications

<b>Operating Temperature</b>	-55 °C to +85 °C (-67 °F to +185 °F)
<b>Storage Temperature</b>	-55 °C to +85 °C (-67 °F to +185 °F)
<b>Corrosion Test Method</b>	IEC 60068-2-11
<b>Immersion Depth</b>	1 m
<b>Immersion Test Mating</b>	Mated
<b>Immersion Test Method</b>	IEC 60529:2001, IP68
<b>Moisture Resistance Test Method</b>	IEC 60068-2-3
<b>Thermal Shock Test Method</b>	IEC 60068-2-14
<b>Vibration Test Method</b>	IEC 60068-2-6
<b>Water Jetting Test Mating</b>	Mated
<b>Water Jetting Test Method</b>	IEC 60529:2001, IP66

# L4HM-D

---

## Packaging and Weights

**Weight, net** 122.9 g | 0.271 lb

## Regulatory Compliance/Certifications

### Agency

CHINA-ROHS

ISO 9001:2015

REACH-SVHC

ROHS

### Classification

Below maximum concentration value

Designed, manufactured and/or distributed under this quality management system

Compliant as per SVHC revision on [www.commscope.com/ProductCompliance](http://www.commscope.com/ProductCompliance)

Compliant



## \* Footnotes

**Immersion Depth** Immersion at specified depth for 24 hours

**Insertion Loss, typical**  $0.05\sqrt{\text{freq}}$  (GHz) (not applicable for elliptical waveguide)