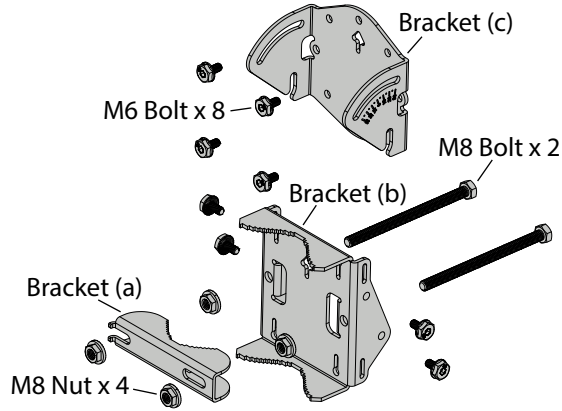
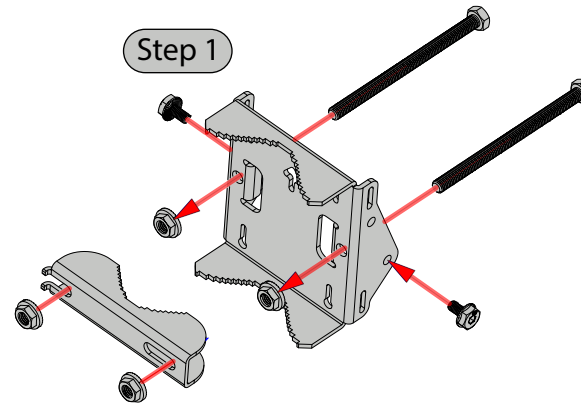


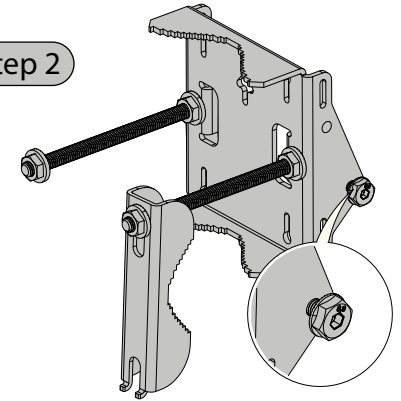
**LOW PROFILE
TILTING BRACKET**



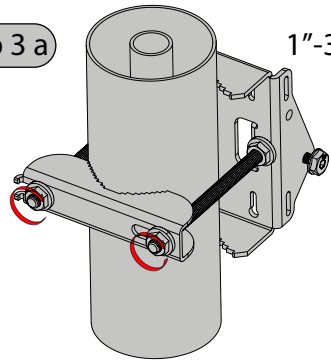
Step 1



Step 2



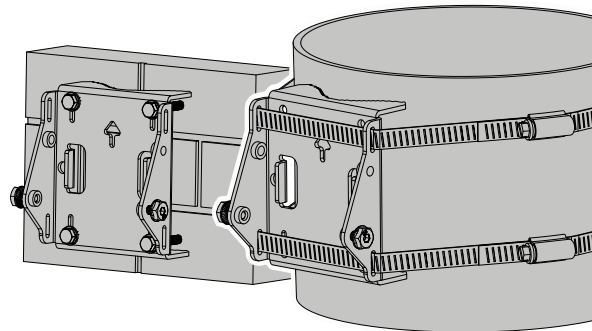
Step 3 a



1"-3" Pole

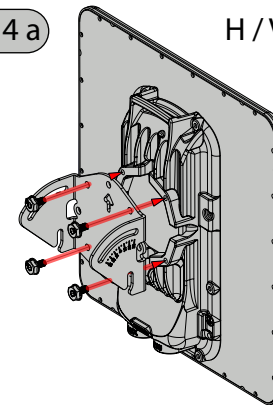
13mm A/F @ 10Nm x 2

Step 3 b / c



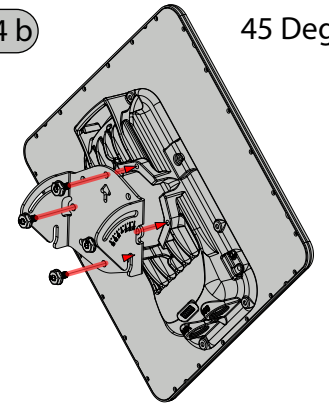
Wall 3.5" - 9" Pole

Step 4 a



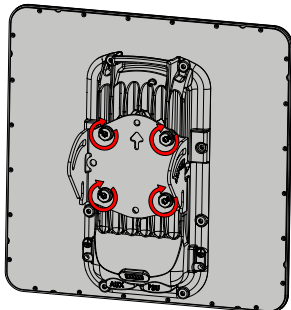
H/V

Step 4 b



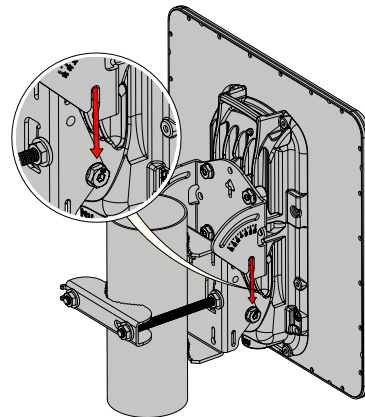
45 Deg

Step 5

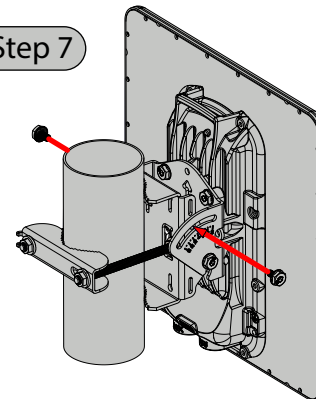


13mm A/F @ 5Nm x 4

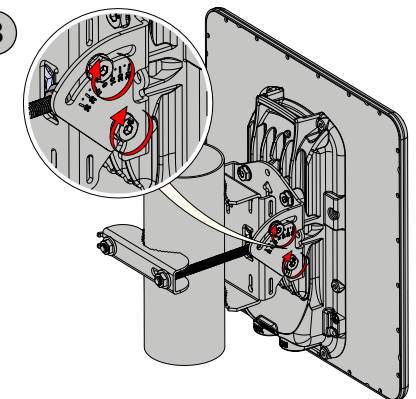
Step 6



Step 7



Step 8



13mm A/F @ 5Nm x 4