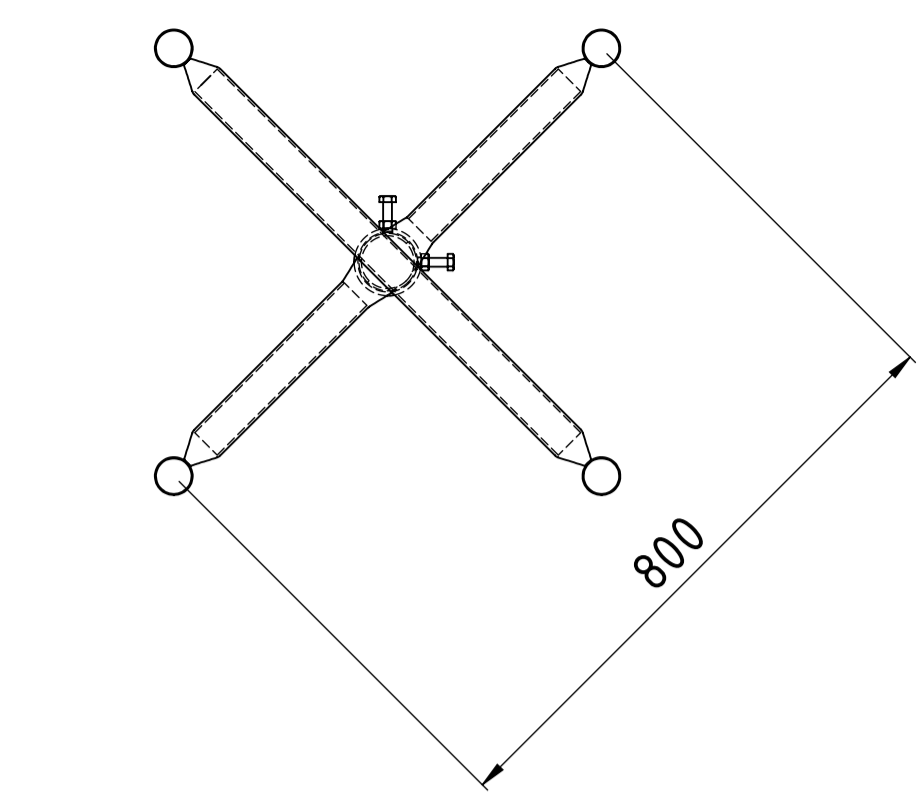
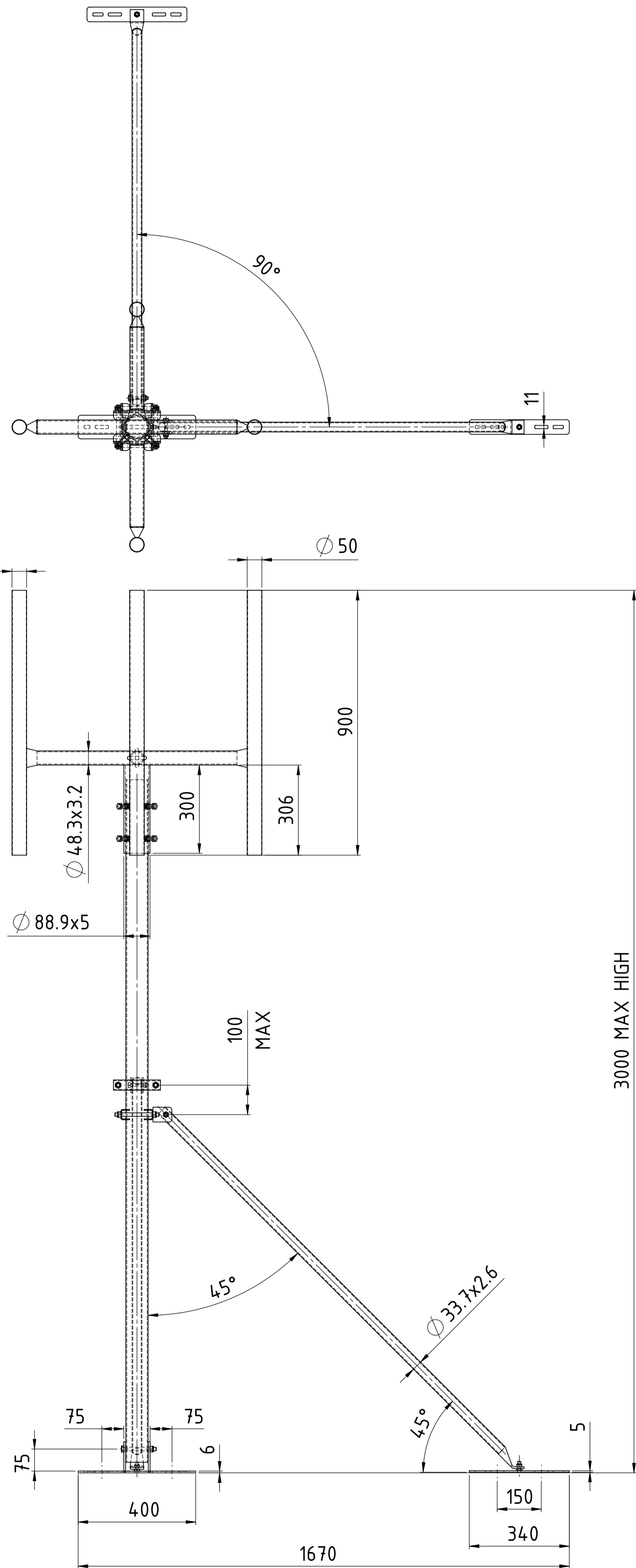
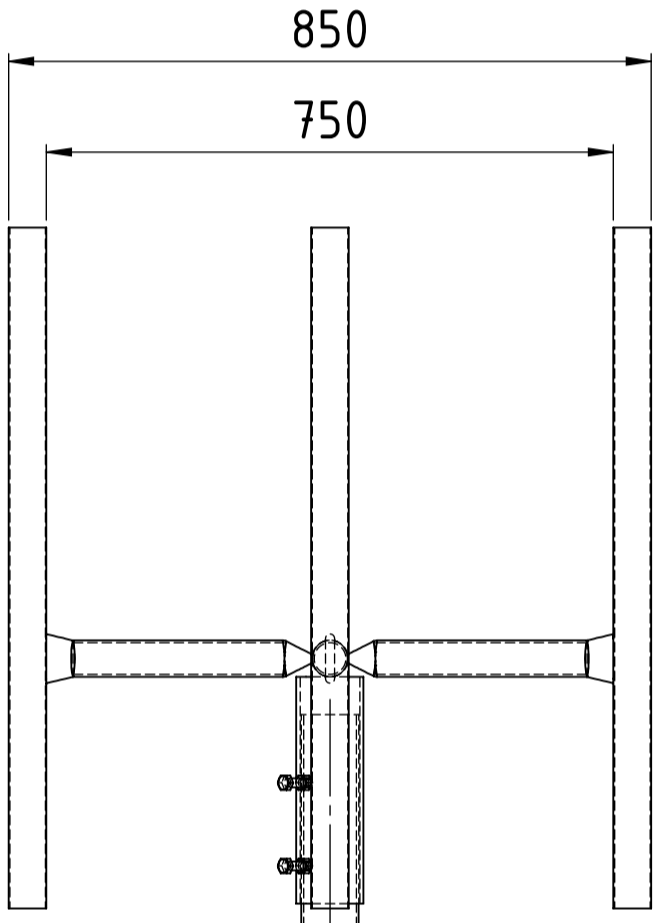


JOB NO:
DOC NUMBER: GC76

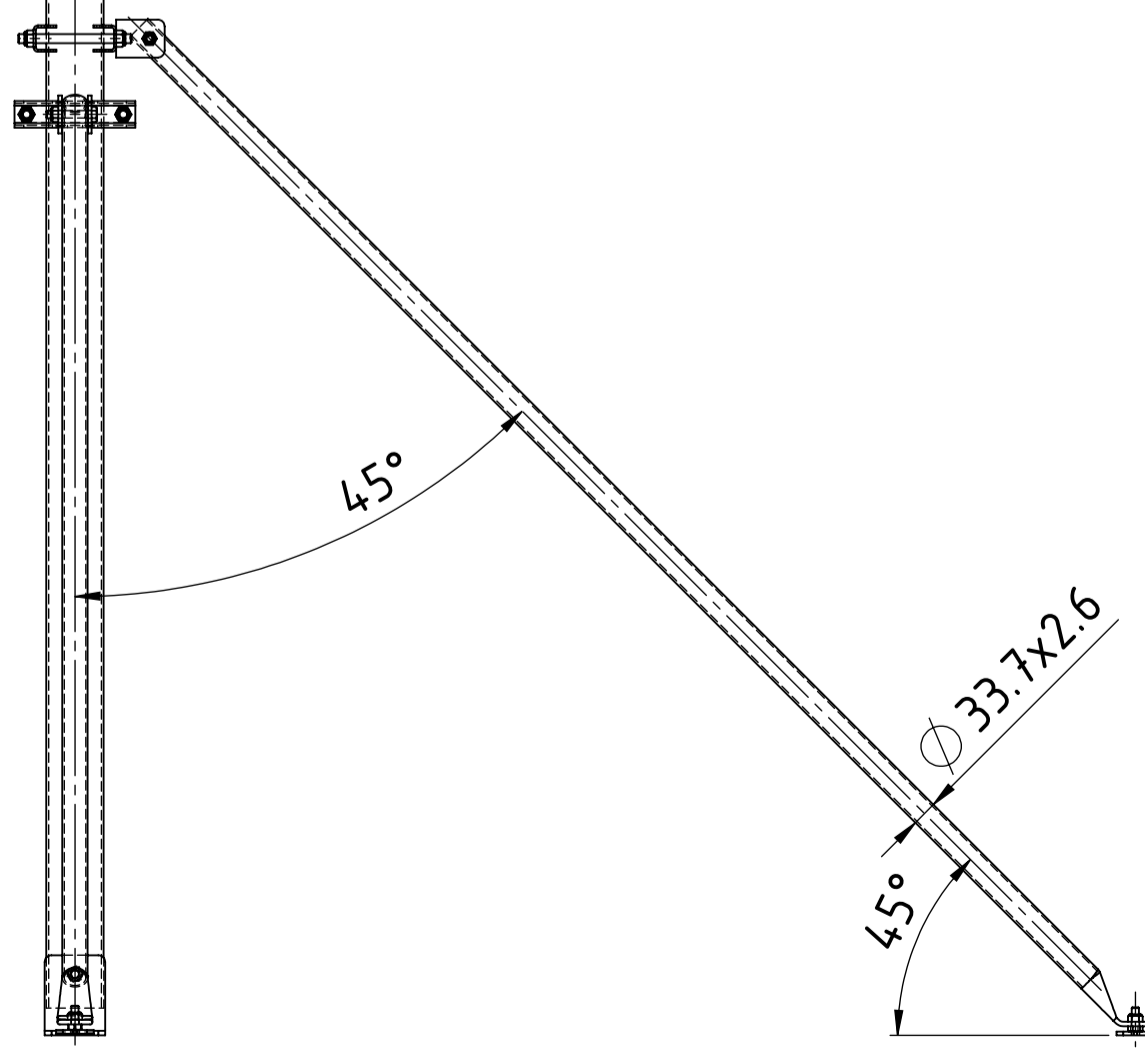


SECTION A-A



A

A



powertec
WIRELESS TECHNOLOGY

DRAWN _____
DESIGNED _____
DRG CHECK _____
DESIGN CHECK _____
APPROVED _____

MWE PART NO. S01

Design accepted for use by client

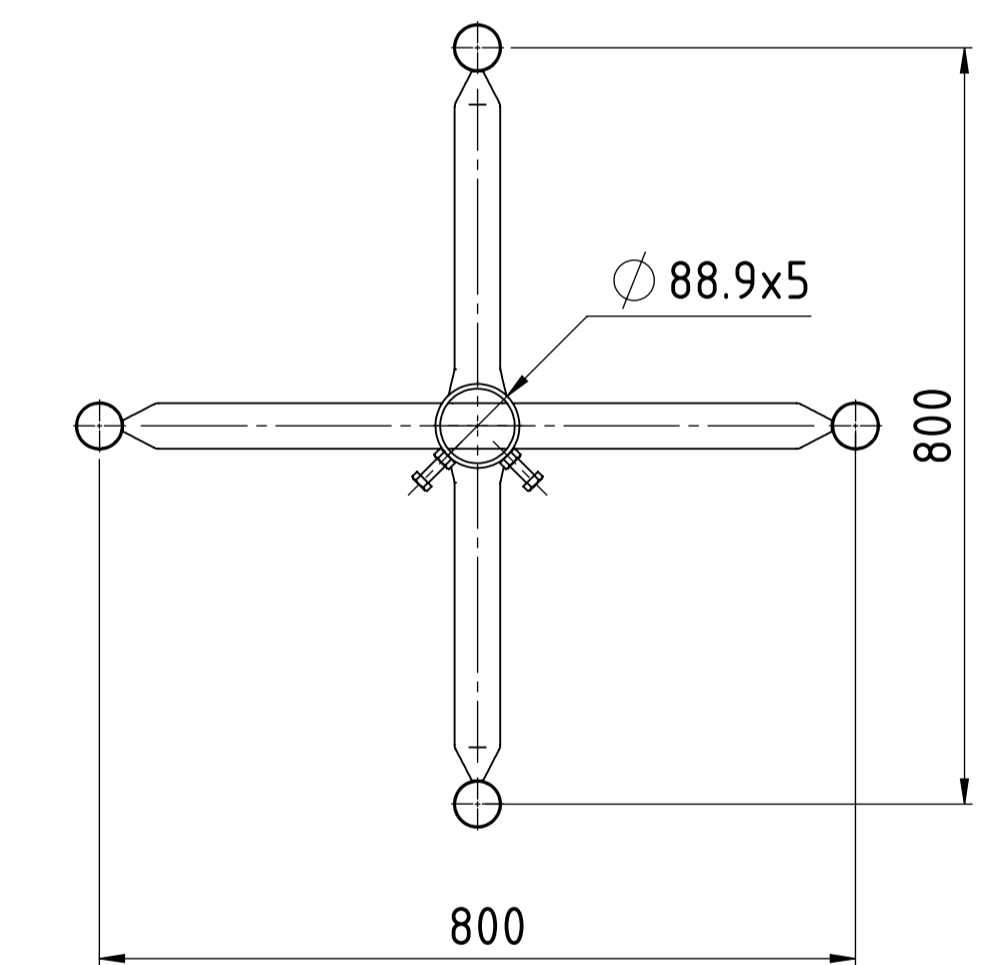
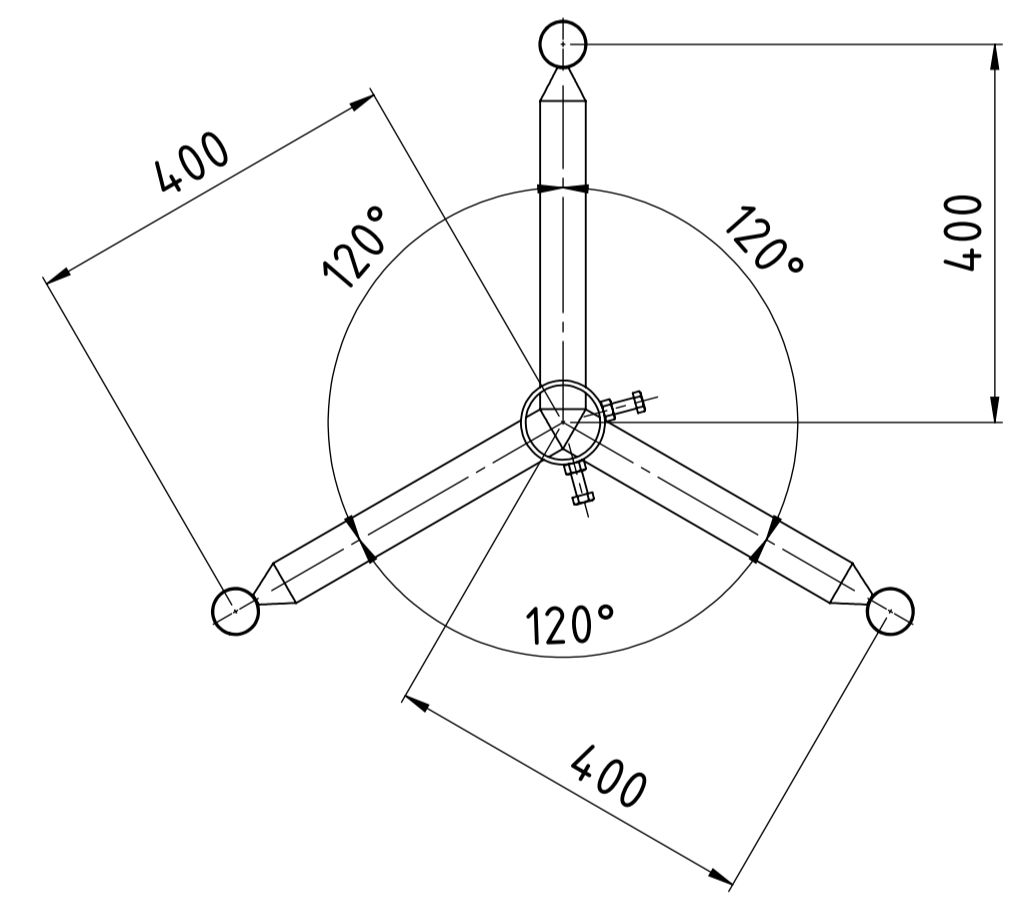
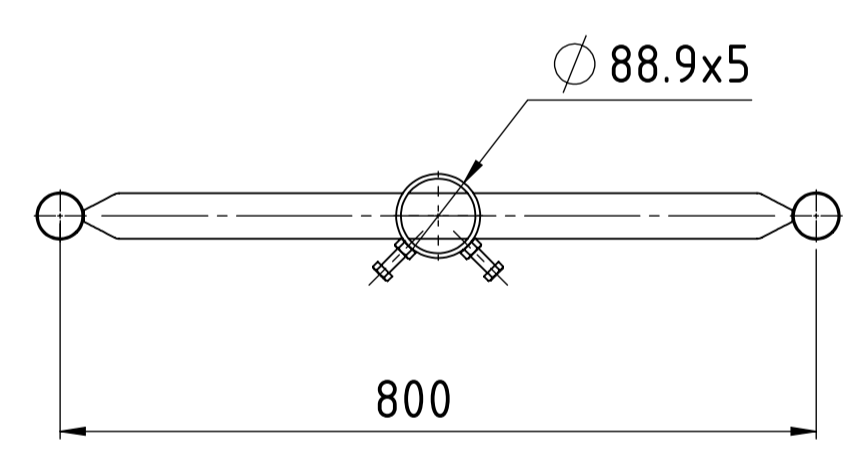
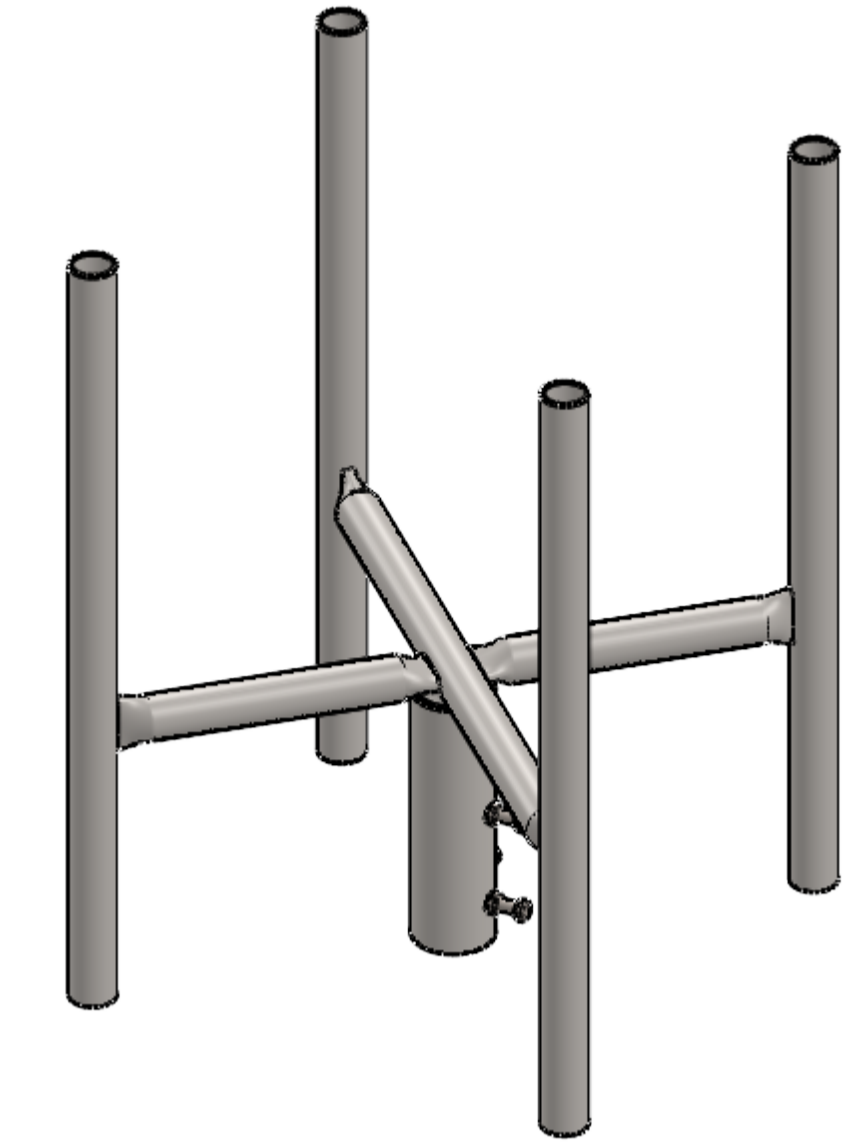
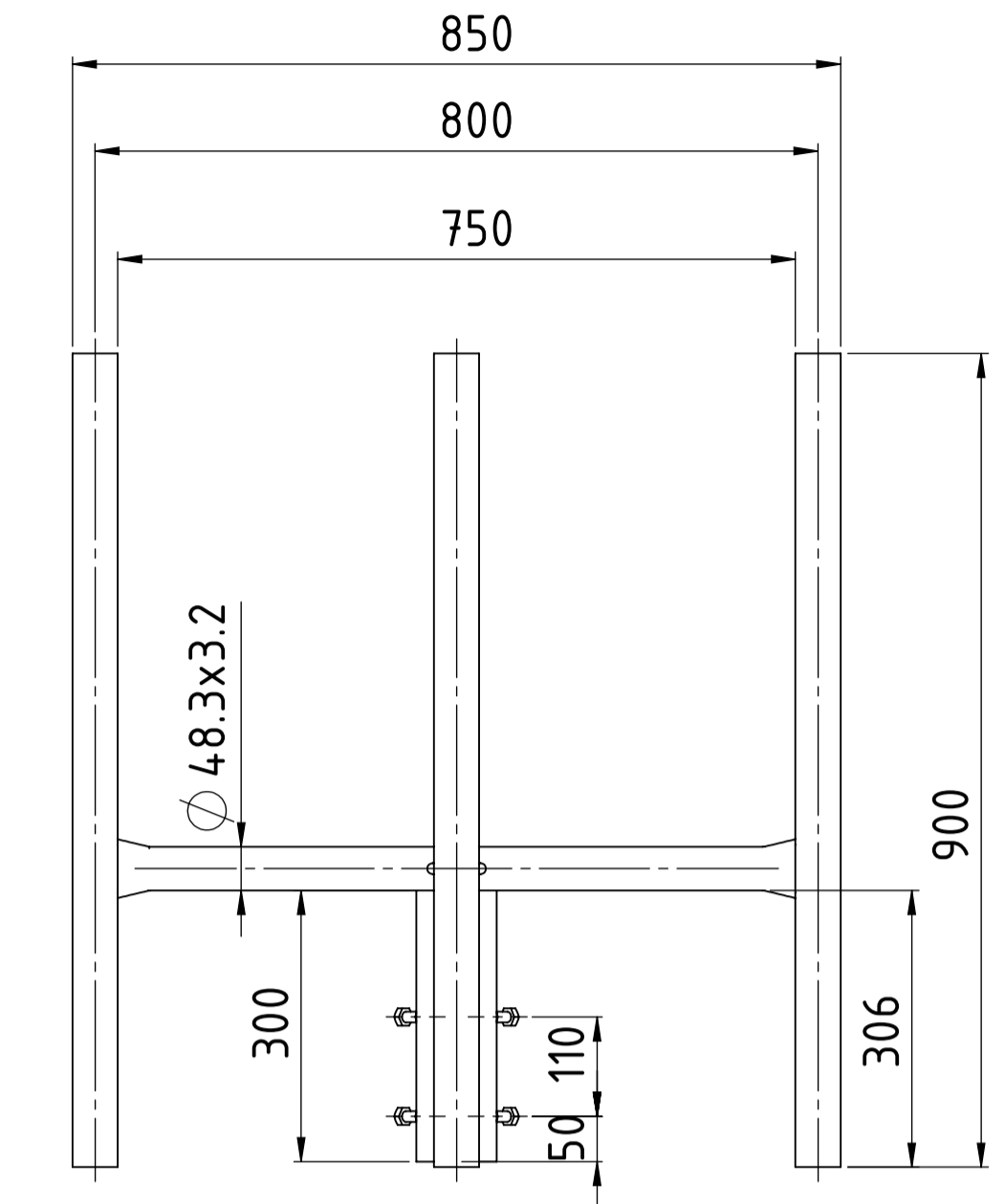
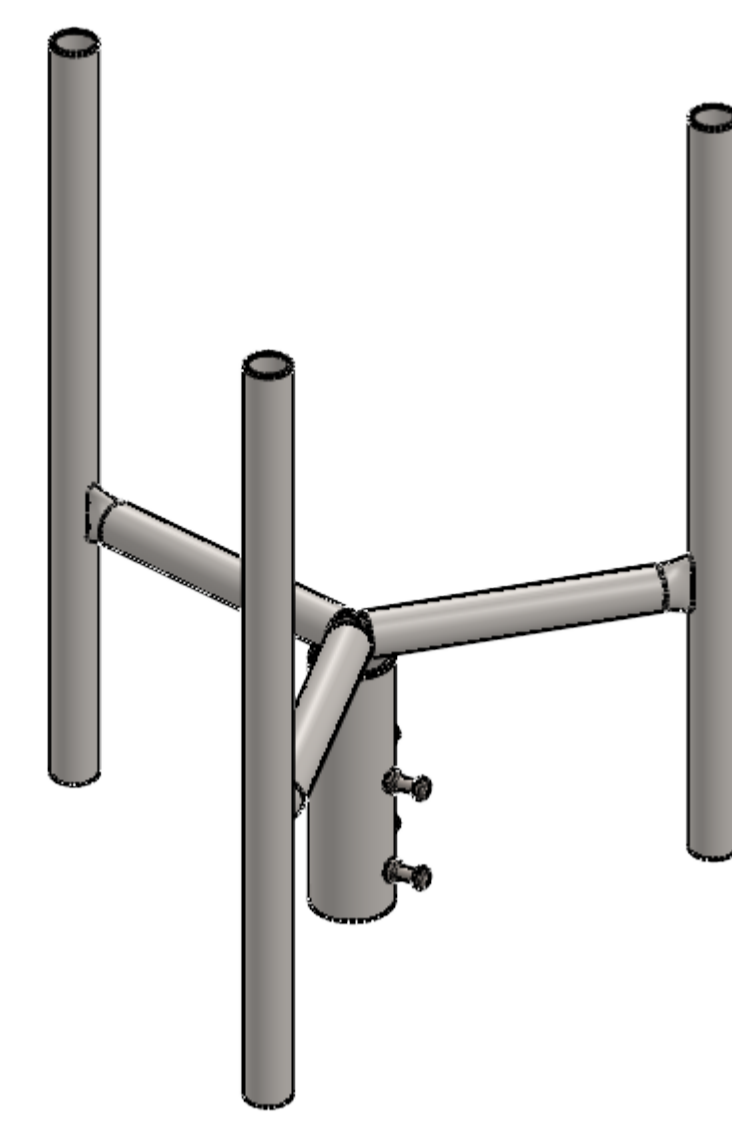
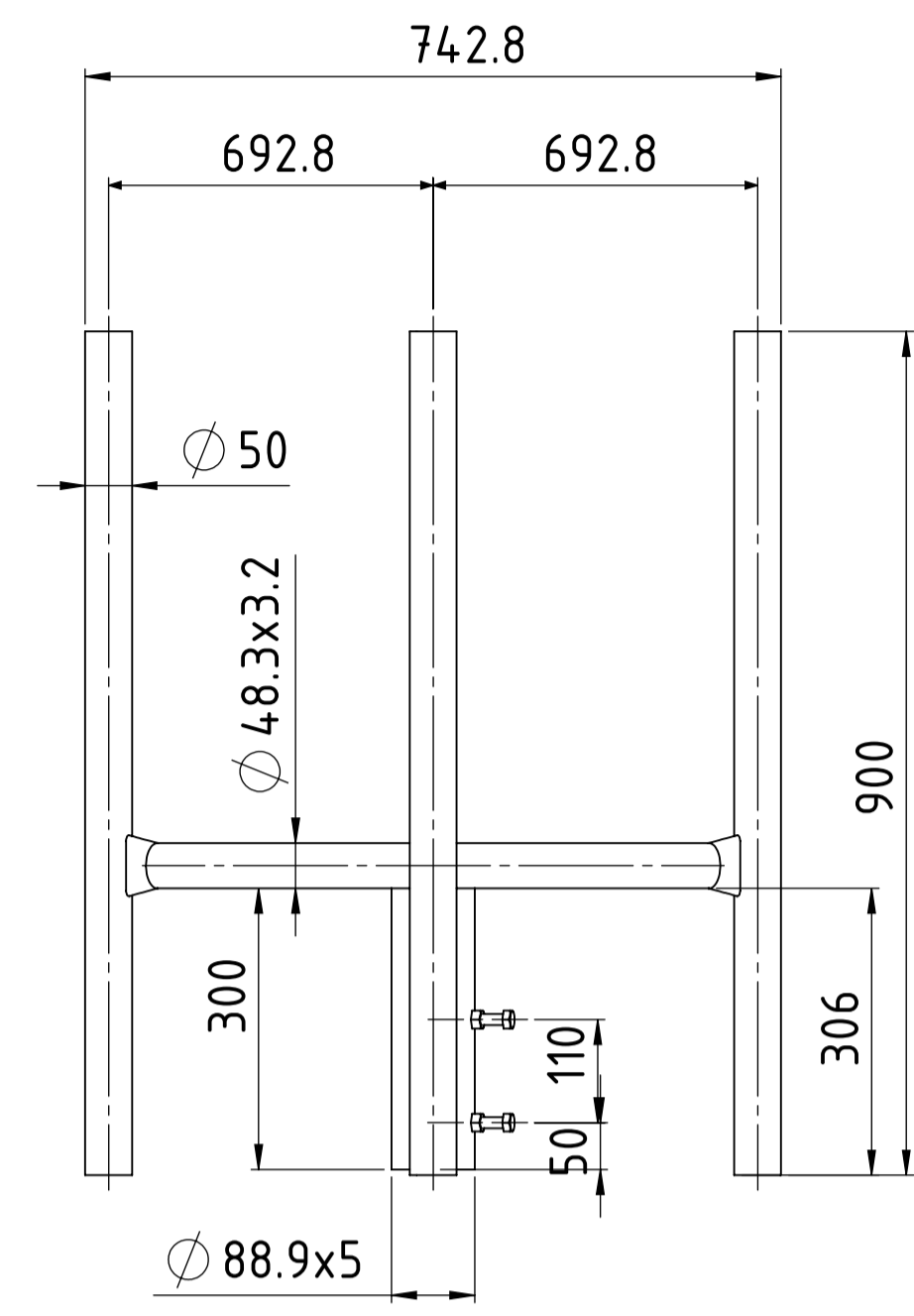
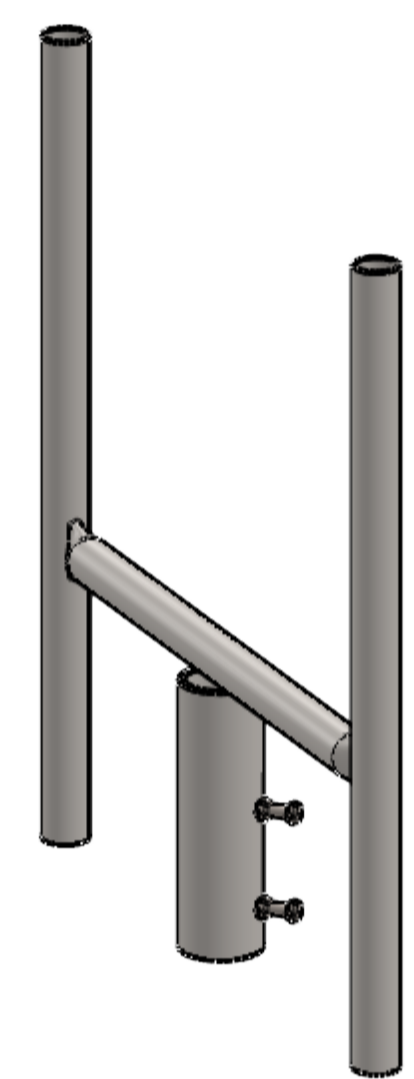
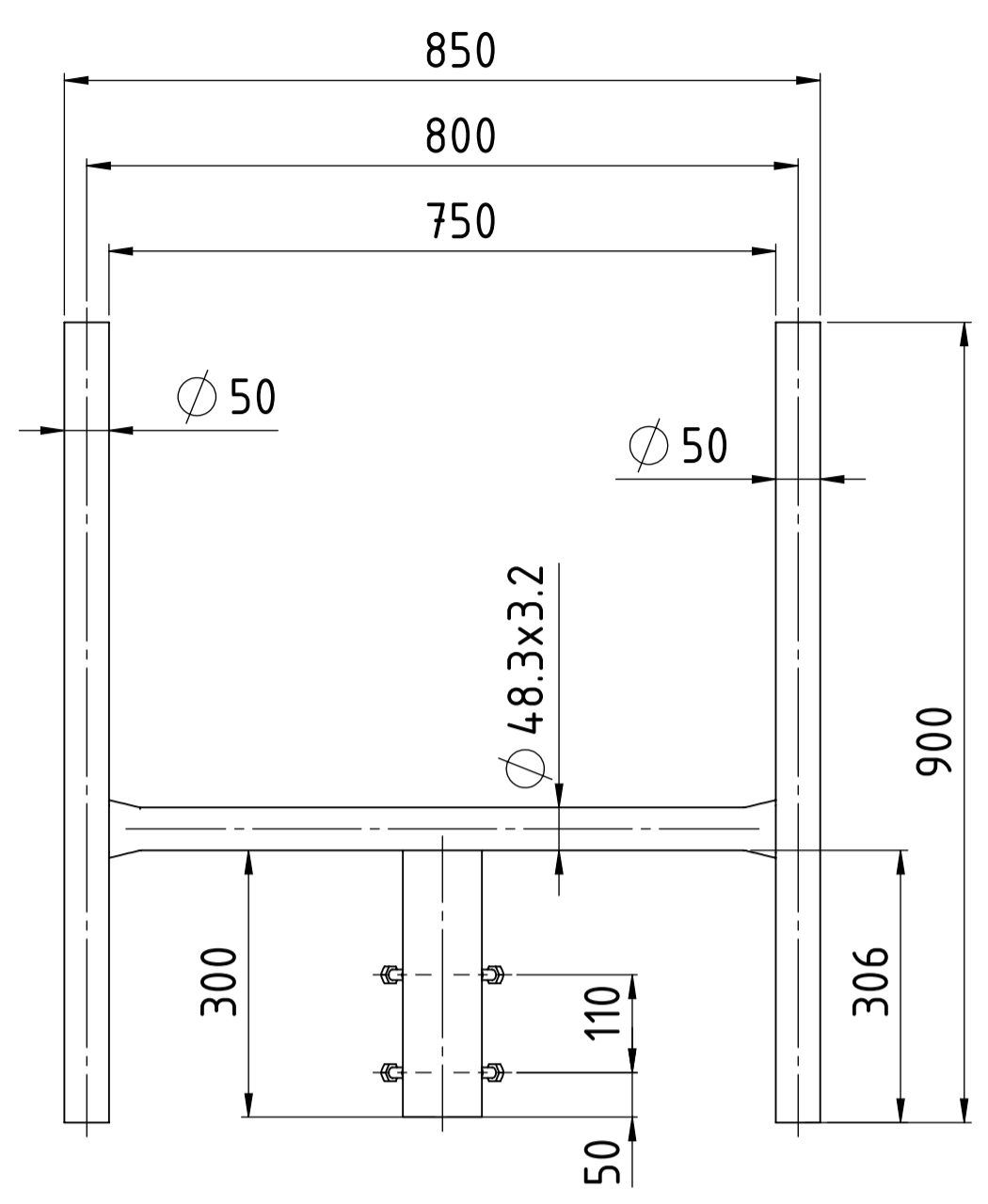
This drawing and the information contained therein have been created solely for a particular purpose and client. This is protected by copyright. You may not reproduce any of it in any form without the written permission of Melwest Engineering PTY LTD. If you do, you may have to pay damages to Melwest Engineering or you may be prosecuted.

GC76

FILE No. PT-20221105-00-00 SHEET 1 OF 2 A1

STATUS: ISSUE FOR APPROVAL

JOB NO:
 DOC NUMBER:
 HEAD FRAME DETAIL



powertec
 WIRELESS TECHNOLOGY

DRAWN _____
 DESIGNED _____
 DRG CHECK _____
 DESIGN CHECK _____
 APPROVED _____

MWE PART NO. _____

Design accepted for use by client _____

This drawing and the information contained therein have been created solely for a particular purpose and client. This is protected by copyright. You may not reproduce any of it in any form without the written permission of Melwest Engineering PTY LTD. If you do, you may have to pay damages to Melwest Engineering or you may be prosecuted.

HEAD FRAMES

FILE No. PWT-20211027-00-00 SHEET 2 OF 2 A1

STATUS: ISSUED FOR FABRICATION