
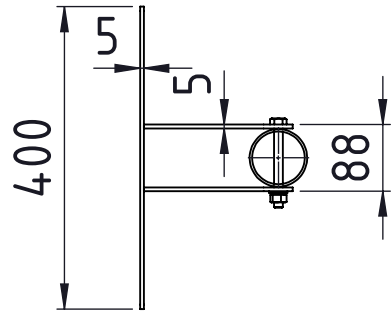
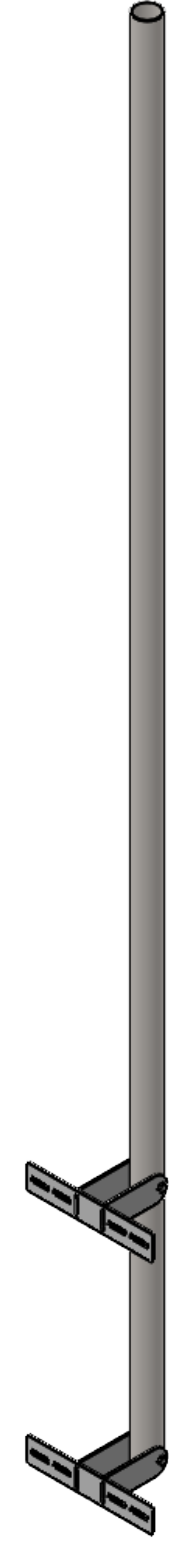
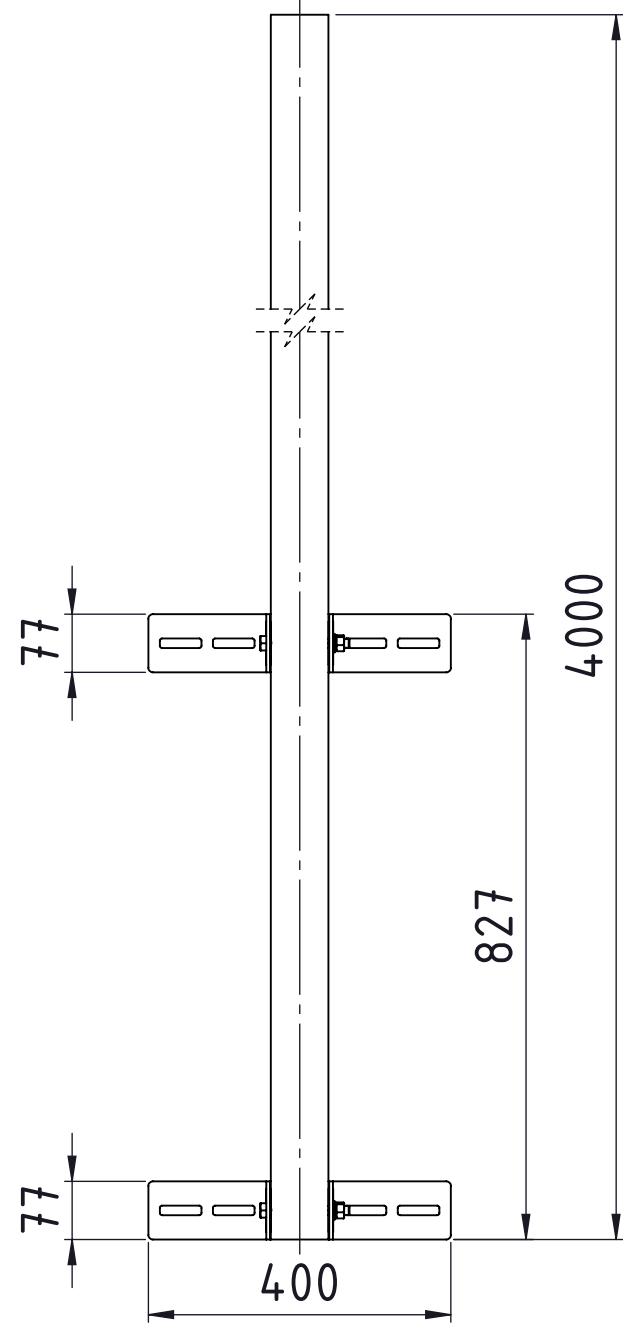
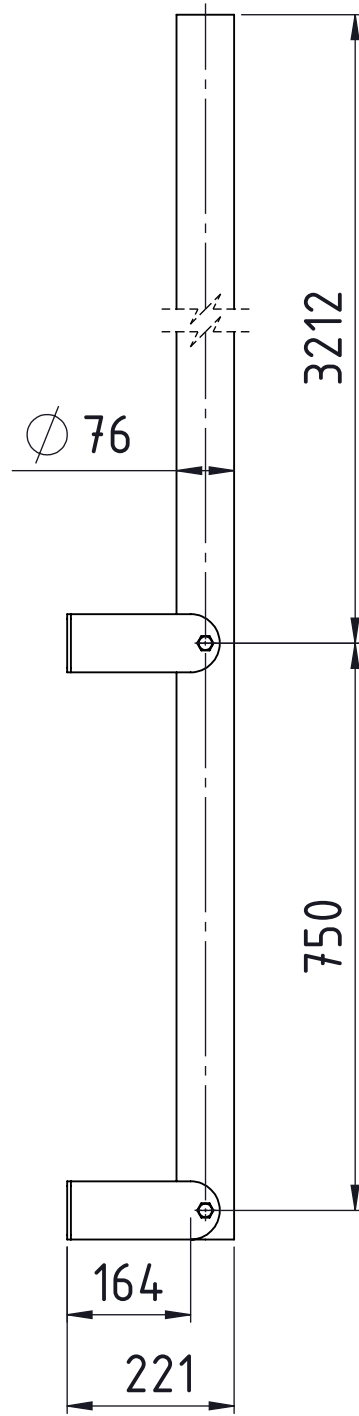




MATERIAL	DWG. BY	DWG. DATE	 POWERTEC TELECOMMUNICATIONS 16/511 Olsen Ave, Southport Qld 4215, Australia		
	CHECKED BY	CHECKED DATE	TITLE GM48W ISSUED FOR REFERENCE		
HARDNESS	REMOVE ALL BURRS AND SHARP EDGES ALL TOLERANCES UNLESS OTHERWISE STATED		ALL DIMENSIONS UNLESS OTHERWISE STATED ARE IN MILLIMETRES.	DRAWING TO BE READ WITH ASSOCIATED 3D OR 2D FILE. DO NOT REDRAW, DO NOT SCALE. USE DIGITAL FILES PROVIDED FOR NC PROGRAMMING.	DWG. NO. REV. 0
SURFACE FINISH	LINEAR X ± 0.5mm X.X ± 0.1mm X.XX ± 0.05mm	Angular X ± 0.5° X.X ± 0.1° X.XX ± 0.05°	INSPECTION DIMENSION	THIS DRAWING AND ASSOCIATED 3D FILES ARE CONFIDENTIAL. THEY ARE OWNED OF POWERTEC. NO PART MAY BE REPRODUCED BY ANY PROCESS, NOR MAY ANY OTHER EXCLUSIVE RIGHT BE EXERCISED WITHOUT WRITTEN PERMISSION.	SCALE A3 SHEET 1 OF 2



DWG. BY	DWG. DATE	 POWERTEC TELECOMMUNICATIONS 16/511 Olsen Ave, Southport Qld 4215, Australia	
CHECKED BY	CHECKED DATE	TITLE GM76W ISSUED FOR REFERENCE	
MATERIAL	REMOVE ALL BURRS AND SHARP EDGES		DWG. NO.
HARDNESS	ALL DIMENSIONS UNLESS OTHERWISE STATED ARE IN MILLIMETRES.		REV. 0
SURFACE FINISH	ALL TOLERANCES UNLESS OTHERWISE STATED LINEAR X ± 0.5mm X.X ± 0.1mm X.XX ± 0.05mm Angular X ± 0.5° X.X ± 0.1° X.XX ± 0.05°	INSPECTION DIMENSION	DRAWING TO BE READ WITH ASSOCIATED 3D OR 2D FILE. DO NOT REDRAW, DO NOT SCALE. USE DIGITAL FILES PROVIDED FOR NC PROGRAMMING. THIS DRAWING AND ASSOCIATED 3D FILES ARE CONFIDENTIAL. THEY ARE OWNED OF POWERTEC. NO PART MAY BE REPRODUCED BY ANY PROCESS, NOR MAY ANY OTHER EXCLUSIVE RIGHT BE EXERCISED WITHOUT WRITTEN PERMISSION.
			SCALE A3 SHEET 2 OF 2