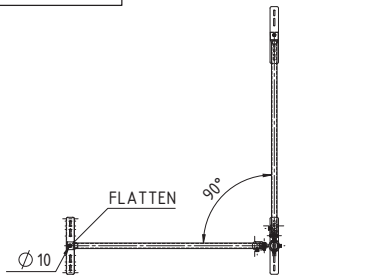


JOB NO:

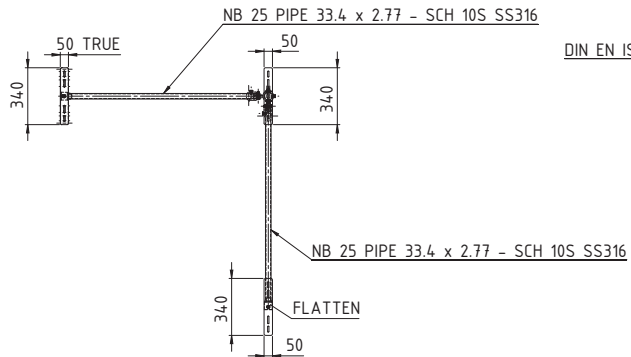
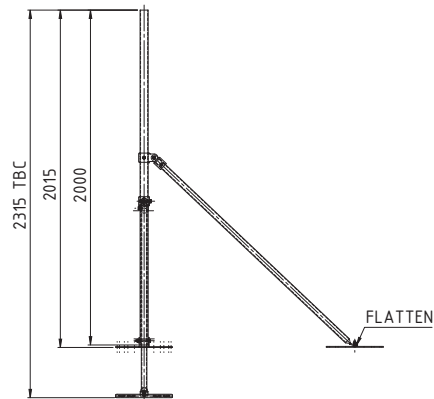
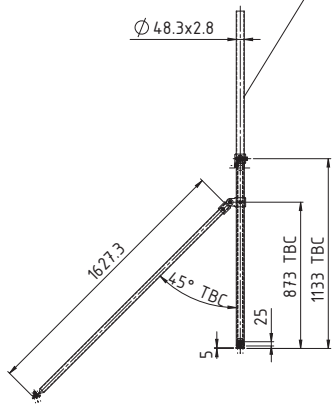
DOC NUMBER: GC48

WELDING:
ALL WELDS SHALL BE 3mm CFW UNO.

ITEM NO.	PART NUMBER	DESCRIPTION	QTY.
1	40 NB	PIPE	1
2	25 NB	PIPE	1
3	25 NB.1	PIPE	1
4	173M	Single Swivel Combination Male Part	2
5	173F	Single Swivel Combination Female Part	2
6	BP1 SS	5 PL	1
7	BP2 SS	5 PL	2
8	BP3 SS	5 PL	2
9	DIN EN ISO 7040 - M10 - N		5
10	Hex Bolt M10 x 40		2
11	Hex Bolt M10 x 80		1
12	Hex Bolt M10 x 25		2
13	Hex Bolt M10 x 16		4



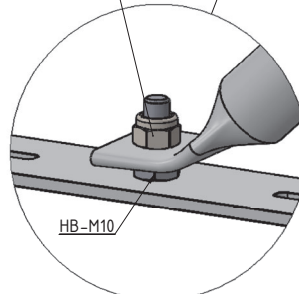
NB 40 PIPE 48.3 x 2.77 - SCH 10S SS316



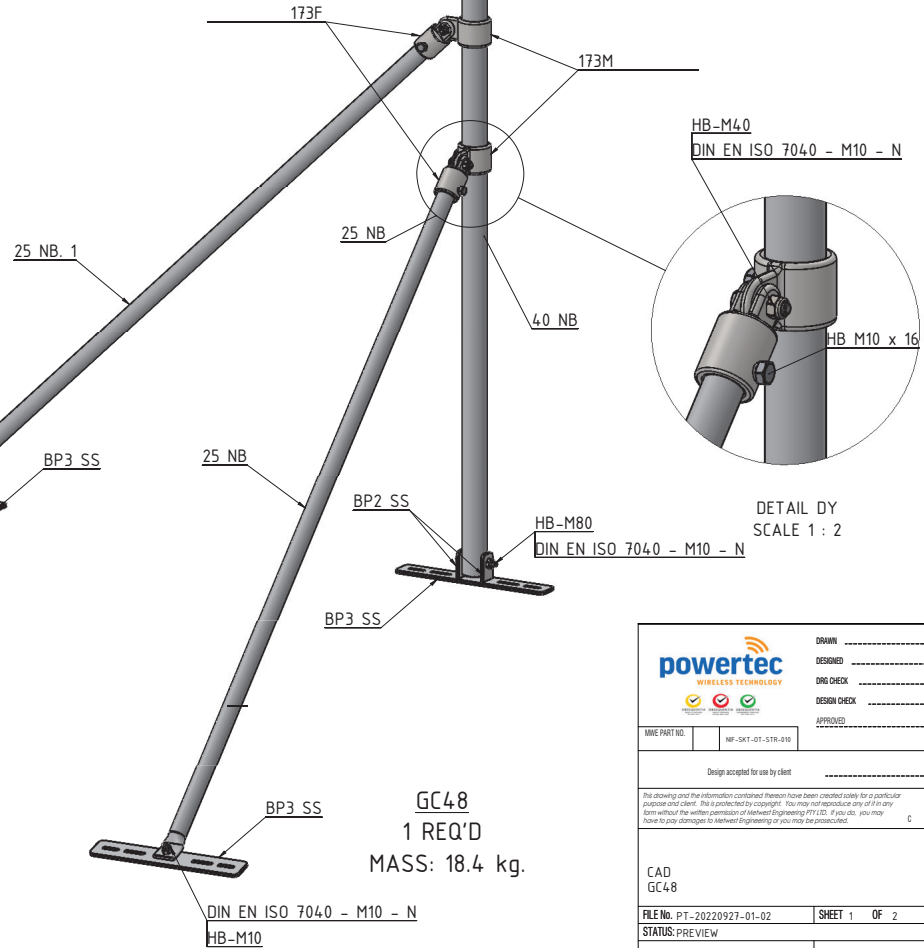
NB 25 PIPE 33.4 x 2.77 - SCH 10S SS316

NB 25 PIPE 33.4 x 2.77 - SCH 10S SS316

DIN EN ISO 7040 - M10 - N



DETAIL DX
SCALE 1 : 1



powerterc
WIRELESS TECHNOLOGY

DRAWN _____
 DESIGNED _____
 ENG CHECK _____
 DESIGN CHECK _____
 APPROVED _____

MIME PART NO: NIP-SKT-01-STR-019

Design accepted for use by client _____

This drawing and the information contained therein have been created solely for a particular purpose and client. It is protected by copyright. You may not reproduce any part of it in any form without the written permission of powerterc Engineering PVT LTD. If you do, you may have to pay damages to powerterc Engineering or you may be prosecuted.

CAD
GC48

FILE No: PT-20220927-01-02 SHEET 1 OF 2 AI

STATUS: PREVIEW