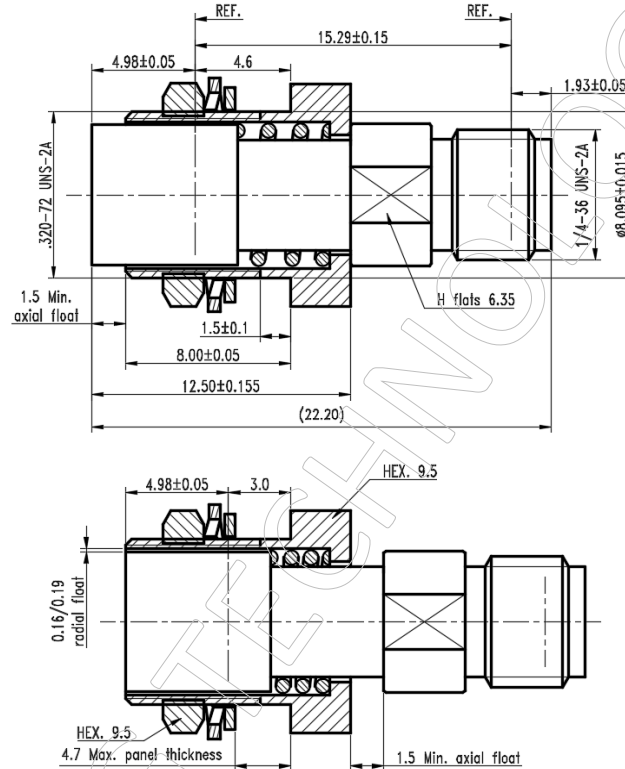


■ Outline Dimension Drawing

Dimensions: mm[inch]



All dimensions are in mm.

■ Material Specification

Description	Material	Plating
Body*3	SUS316	Passivate
Contact	BeCu	Gold
Pin	BeCu	Gold
Dielectric*2	PTFE	
SPRING	SUS304	
SPRING FINGERS	BeCu	Gold
Flat Washer	SUS316	Passivate
Lock Washer	P.Bronze	Nickel

In the effort to improve our products, we reserve the right to make changes judged to be necessary.

■ Electrical Specification

Description			Description		
Impedance	50	Ω			
Frequency	18	GHz Max.	Insulation Resistance	5000	MΩ Min.
VSWR	1.3	Max.	Inner Contact Resistance	6	mΩ Max.
Insertion Loss	-0.3	dB	Outer Contact Resistance	2	mΩ Max.
Voltage Rating	N/A	Vrms Max.			
Dielectric Withstanding Voltage	750	Vrms Max.			

■ Mechanical Specification

Description			Description		
Center Contact			Recommended Torque	7-9	in. lbs
Axial Force-Mating End	2	lbs.			
Axial Force-Opposite End	0.13	lbs.			
Connector Durability	500	cycles			
Weight	N/A	g			

■ Environmental Specification

Description		
Temperature Min.	-65	°C
Temperature Max.	125	°C
Hermetic Seal	N/A	

In the effort to improve our products, we reserve the right to make changes judged to be necessary.