

## 2JW0515-915-C952B

915 MHz ISM Connector Mount

### Key Features

#### 915 MHz ISM

- 902-928 MHz

Connector Mount

Ground Plane Independent

Hinged Connector

Dimensions 173 × Ø 10 mm



## 1. Antenna and electrical specifications

Parameters	915 MHz ISM Antenna
<b>Standards</b>	ZigBee, ISM
<b>Band (MHz)</b>	915 MHz
<b>Frequency (MHz)</b>	902-928
<b>Return Loss (dB)</b>	~-7.8
<b>VSWR</b>	~2.4:1
<b>Efficiency (%)</b>	~68.2
<b>Peak Gain (dBi)</b>	~2.0
<b>Average Gain (dB)</b>	~-1.7
<b>Impedance (Ohm)</b>	50
<b>Polarisation</b>	Linear
<b>Radiation Pattern</b>	Omni-Directional
<b>Max. Input Power (W)</b>	25
<b>Connector Type</b>	SMA-Male Standard

### Antenna Measurement Conditions:

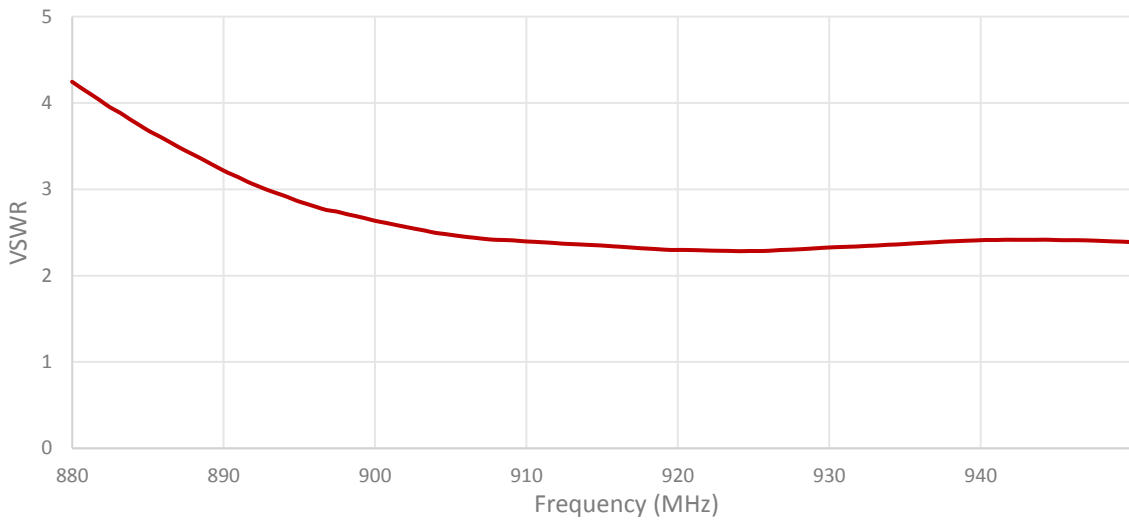
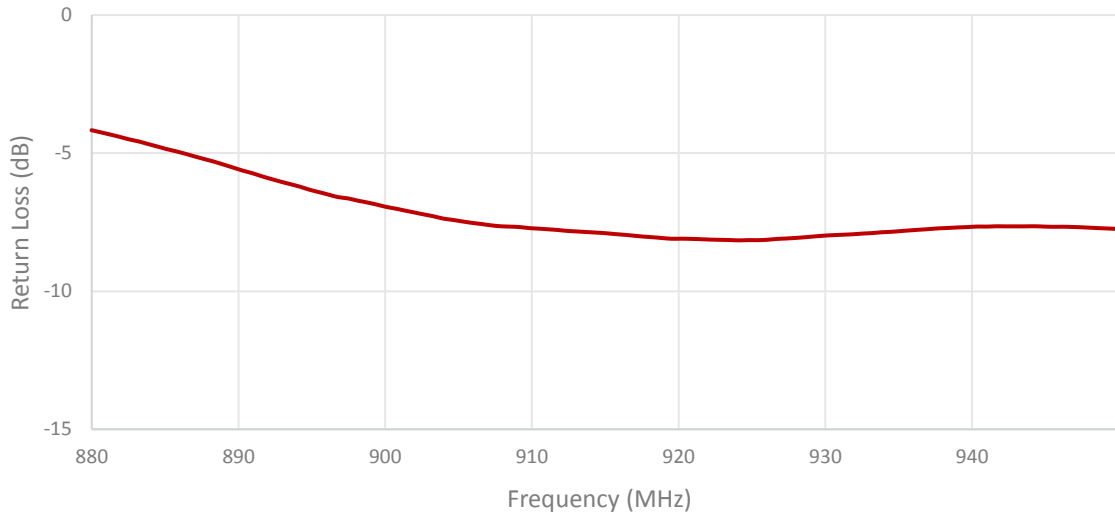
Free Space

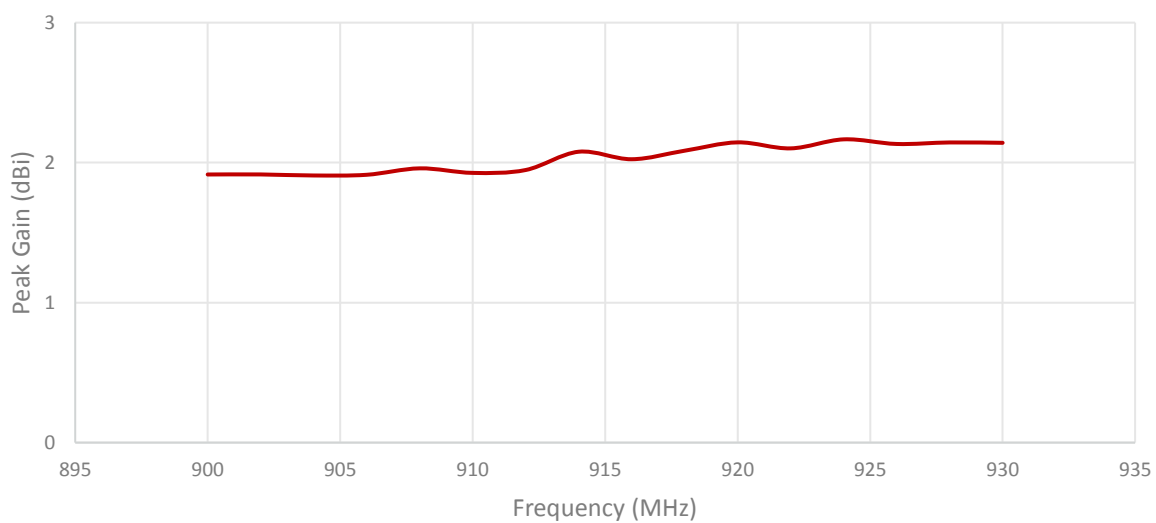
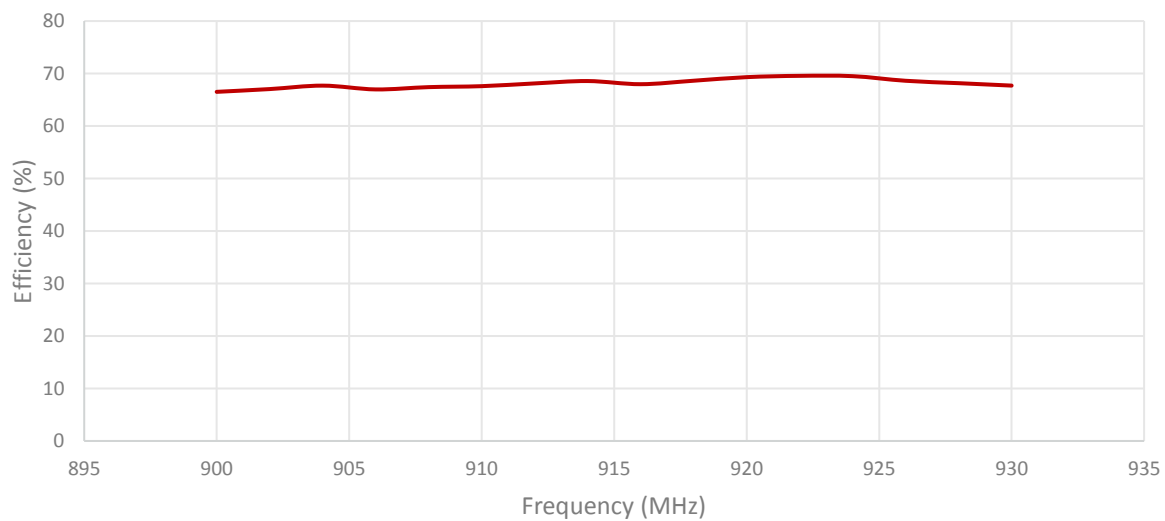
Measured in Certified CTIA 3D Anechoic Chamber

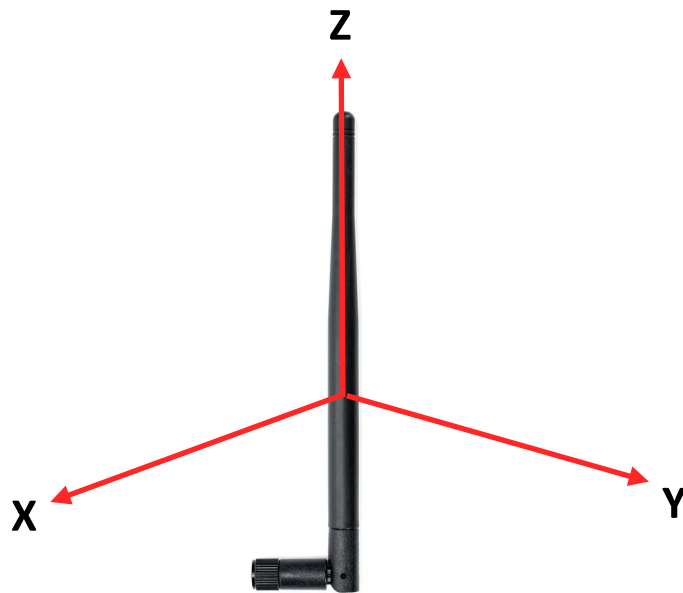
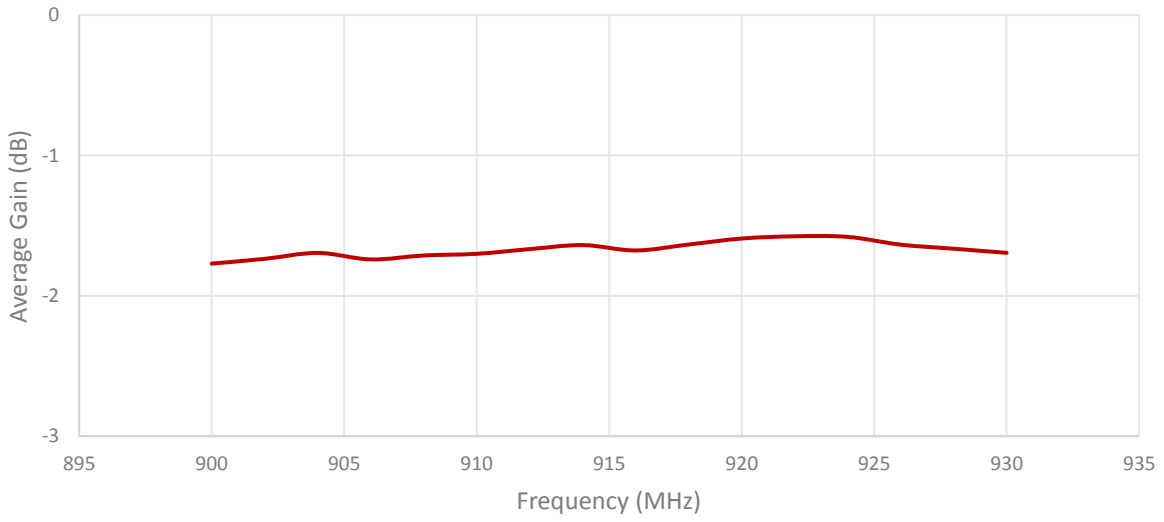
## 2. Mechanical and environmental specifications

Specifications	2JW0515-915-C952B
<b>Mounting Type</b>	Connector Mount
<b>Dimensions (mm)</b>	173 × Ø 10
<b>Radome</b>	TPE
<b>Radome color</b>	Black
<b>Connector Feature</b>	Hinged
<b>Operating Temperature (C)</b>	-40 to +85
<b>Storage Temperature (C)</b>	-40 to +85
<b>Substance Compliance</b>	RoHS

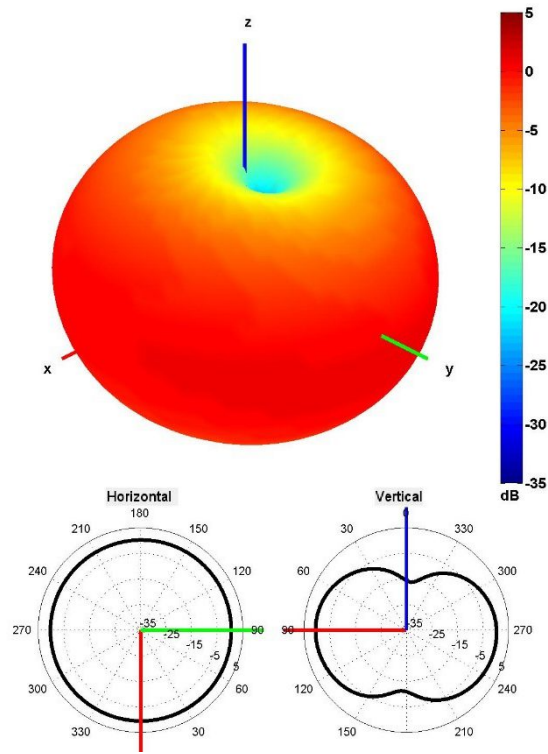
### 3. Antenna parameters





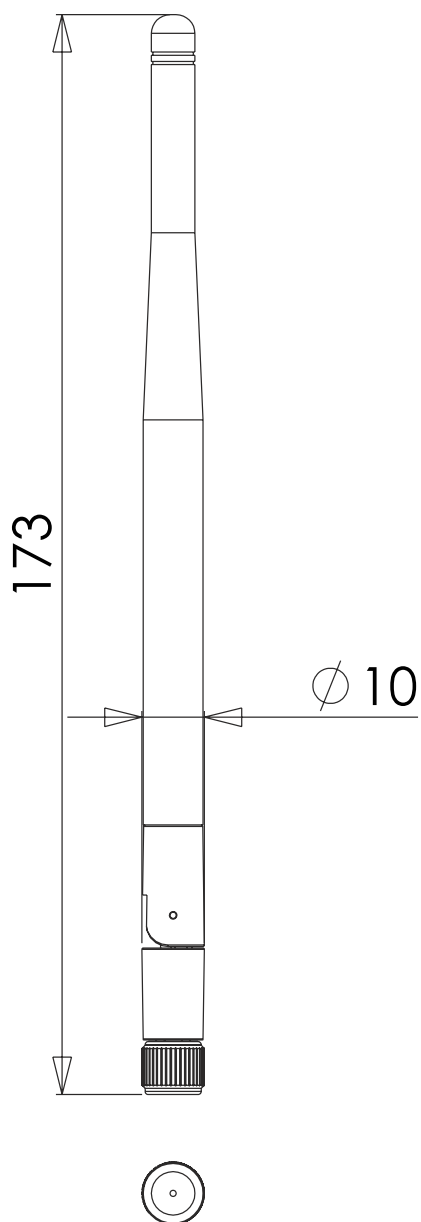


Radiation pattern reference



915 MHz Radiation pattern

## 4. Antenna drawings



## 5. Antenna Images

