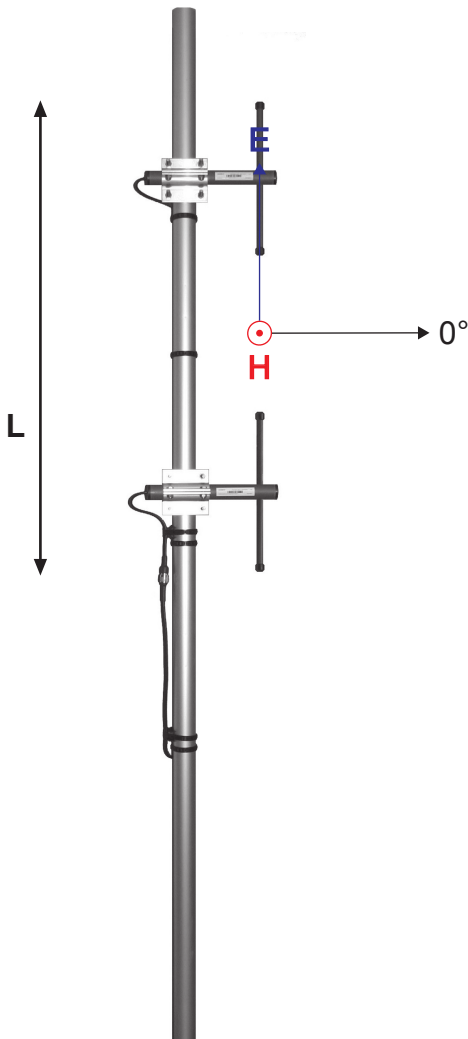


# ComAnt<sup>®</sup> Communications Antennas



## FREQUENCY INDEPENDENT DATA

Description: offset pattern collinear,  
field adjustable pattern,  
optional beam tilting

Frequency: 135-145 MHz, 144-156 MHz,  
154-166 MHz, 163-177 MHz,  
221-239 MHz, 326-353 MHz,  
336-364 MHz, 365-395 MHz,  
380-410 MHz, 405-440 MHz,  
440-475 MHz, 830-890 MHz,  
880-960 MHz

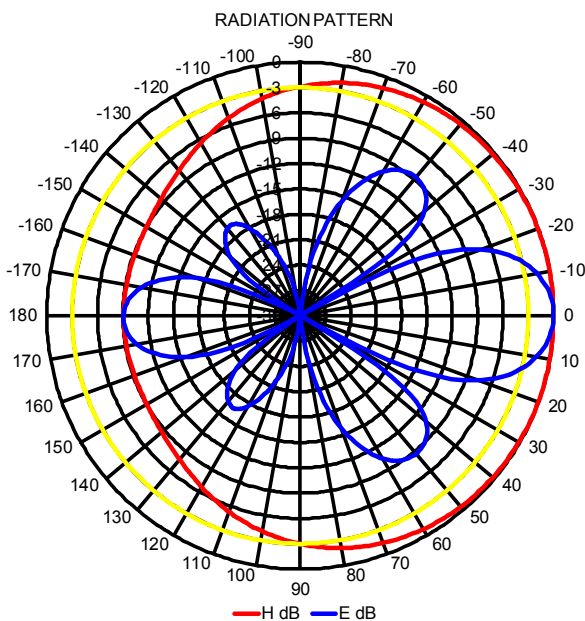
Impedance: 50 ohm  
Gain: 8 dBi  
H -3 dB: 181°  
E -3 dB: 27°  
F/B: 5-10 dB, depending on  
mounting

Polarization: vertical  
Connector: N-female/TNC-female  
VSWR: < 1.5  
Radome: UV resistant ABS/FG,  
RAL 7012, PU foam filling

Radiator: copper  
Attachment: Ø 35-60 mm, aluminium alloy  
bracket, stainless steel V-  
bolts and self-locking nuts

Lightning protection: DC-short circuited  
Temperature: -40°C - +80°C  
IP: 67

- combination of durability, light weight and low wind load
- radome enclosed radiator
- IP67 proof construction
- all electromechanics moulded inside of closed cell PU foam
- DC shorted feed point
- integrated impedance compensation
- integrated RF choke



**CAC2 OFFSET PATTERN COLLINEAR**



**RoHS**  
Compliant

**CompleTech**  
ComAnt<sup>®</sup>-antennas by CompleTech, Finland