



/ Online-Catalogue Coax / Reverse polarised connectors R-TNC, R-SMA, R-BNC / R-TNC Angle Plug Crimp / **100023749**

# R-TNC Angle Plug Crimp

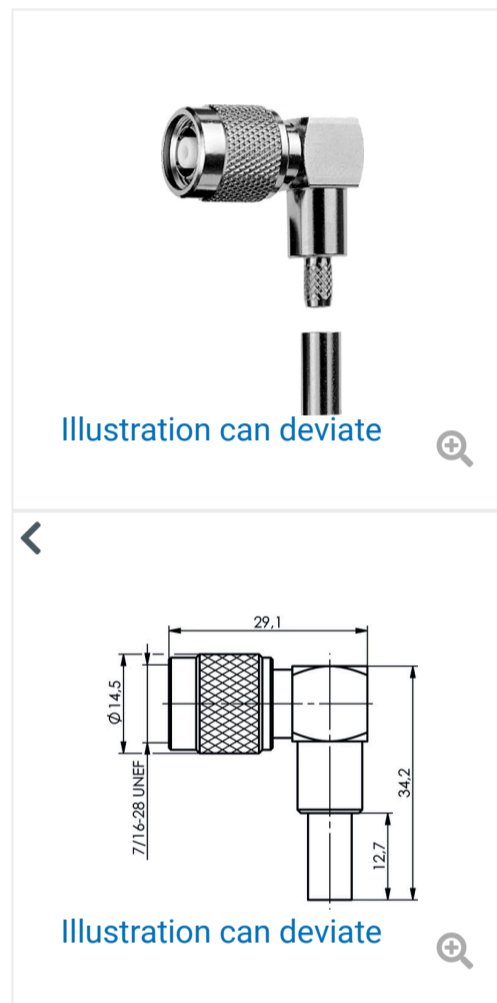
[Catalogue](#)

**Item number: 100023749**

(Old item number J01010R0002)

R-TNC Angle Plug G1 (RG-58C/U) crimp/crimp

- 1 +



## Technical attributes

<b>Article name</b>	R-TNC Plg 90 cr/cr G1
---------------------	-----------------------

## Downloads


[STEP-File](#)
[assembly instruction](#)
[data sheet](#)
[product brochures](#)

?

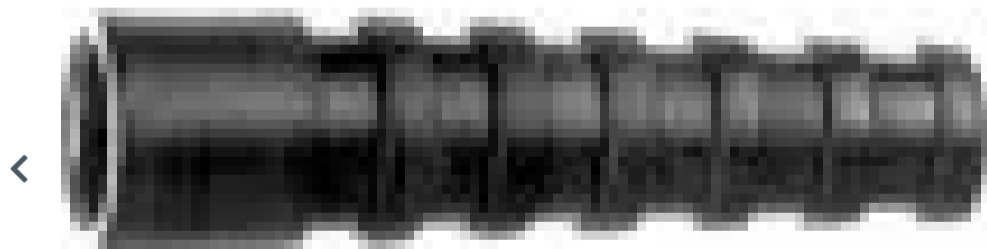
---


<b>Cable group; cable</b>	G1 (RG-58C/U) RG-58C/U 7806A 9907 CNT-195 HPF 195 KX 15 LMR-195 WCX195
<b>Remarks</b>	crimp/crimp
<b>Assembly</b>	A3805

---

Read on 

## Accessories



[100001193](#) 

Strain Reliefs G1(RG-58C/U); G41 (0.6/2.8-4.7) RAL 9005 jet black

Lerchenstr. 35  
71144 Steinenbronn, Germany  
+49 7157 125-0

**Quicklinks**

[Career >](#)

[News >](#)

[Telegärtner Group >](#)

**Social Media**