

Dual Polarized Base Station Antenna

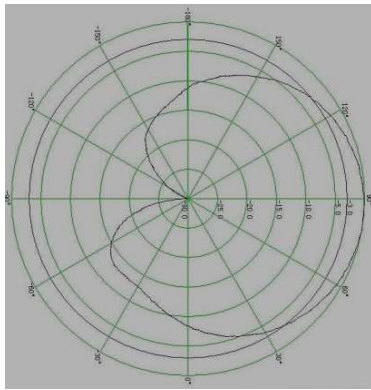
- Dual polarized antenna
- Frequency range: 698-960/1710-2700/3300-3800MHz
- 6-8dBi
- 2* 4.3-10 female connector

Technical data:

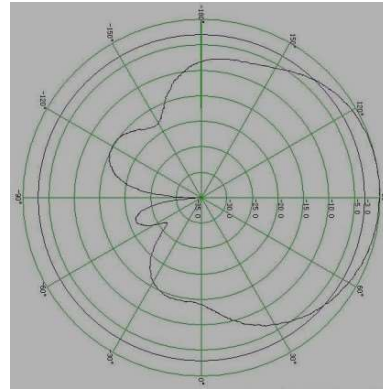
Model Number	RF-6938-D45-43F		
Electrical			
Frequency Range (MHz)	698-960	1710-2700	3300-3800
Gain (dBi)	6	7	8
Horizontal HPBWH (Deg.)	70	60	60
Vertical HPBWV (Deg.)	70	60	60
VSWR	1.6	1.5	1.6
Font to Back Ratio (dB)	≥17		
Isolation (dB)	≥25		
Intermodulation IM3 (dBm)	≤-140(43dBm)		
Polarization	±45		
Impedance (Ω)	50		
Connector Type	2*4.3-10-female		
Max Input Power (W)	100		

Lightning Protection	DC Ground
Mechanical	
Dimensions (mm)	350×160×81
Color	Grey
Radome Material	UPVC
Weight (Kg)	≈1.6
Temperature Range (°C)	-40~+70
Rated Wind Speed (km/h)	126
Mounting Type	Pole mount (pole diameter $\phi 35\sim\phi 50$)
Mounting Bracket	Stainless steel bracket

Patterns:



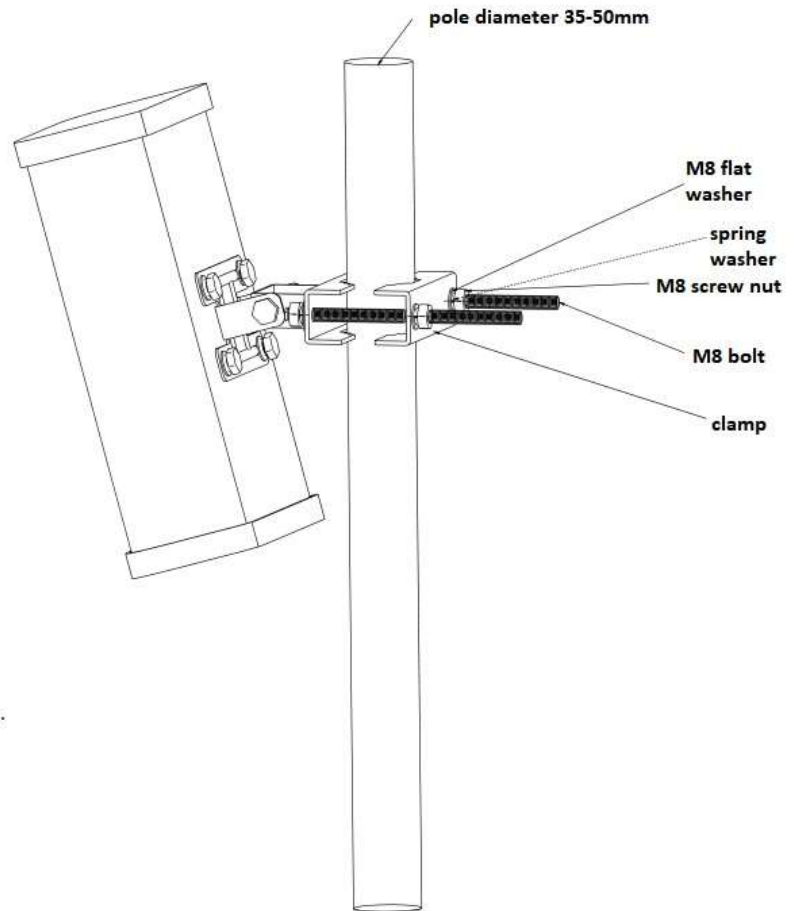
H Plane



E plane

Antenna mounting instruction:

Antenna Mounting Instruction



Mounting instruction:

1. Check mounting kits quantity as per the list.
2. Fix the bracket at the right position of the antenna, as shown in picture 1.
3. Tighten the nuts on the square bolts.
4. Fix the clamps on the mounting pole, and keep the nut loose.
5. Tighten the clamps to keep the antenna in a vertical position.
6. Adjust the antenna to the required mechanical downtilt angle.
7. Tighten all nuts and complete installation steps.

picture 1