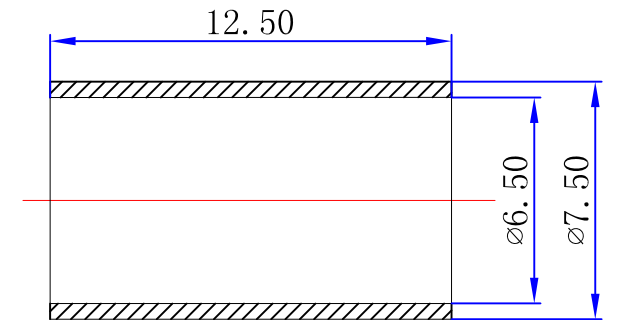
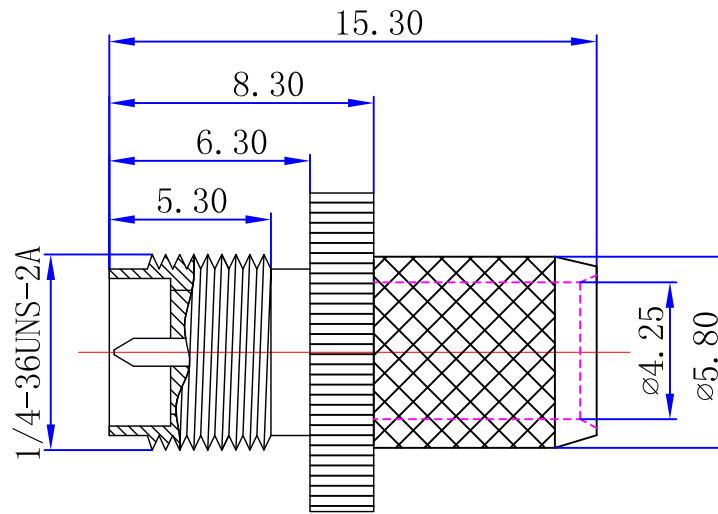
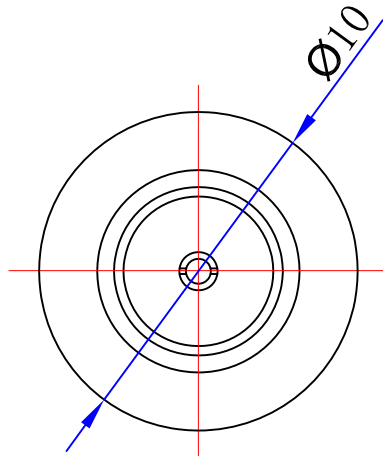




Product NO.		RP-SMAK-LMR240-D		
REV	DESCRIPTION	DWN	DATE	APPROVEN
A	First issue	Gavin	2019/02/18	John kine
B	RP SMA JACK FOR LMR240 CABLE	Gavin	2019/03/26	John kine



Specification:

Impedance: 50 Ohms
 VSWR: 1.3MAX
 Frequency range: DC~6G
 Working Voltage: 260V rms @ sea level
 Insulation resistance: 5000 Ohms min
 Temperature range: -55°C TO +155°C
 Relative temperature: ≤95% (40°C ±2°C)
 Drawings products are in line with ROHS standards.

1	Body	Brass	Gold	1
2	Insulator	PTFE	White	1
3	Pin	BRASS	Gold	1
4	Copper Pipe	BRASS	Nickel	1
5				
6				
7				
8				
9				
10				
NO	Component Number	Material	Finish	QTY
				John kine

NOTE:	Tolerance	X. ±0.20
		X.X ±0.10
DRAWN Gavin	View	X.XX ±0.05
		Angular ±5°
CHECKED	UNIT	MM
	SCALE	1:1
APPROVALS John kine	DATE	2019/03/26
	SCALE	1:1

		Name: RP SMA JACK FOR LMR240 CABLE	
		SIZE A	Product NO. RP-SMAK-LMR240-D
DATE		REV	
2019/03/26		A	
CAD FILE		SHEET: 1 OF 1	
D/company drawings/BD			