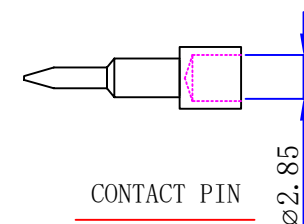
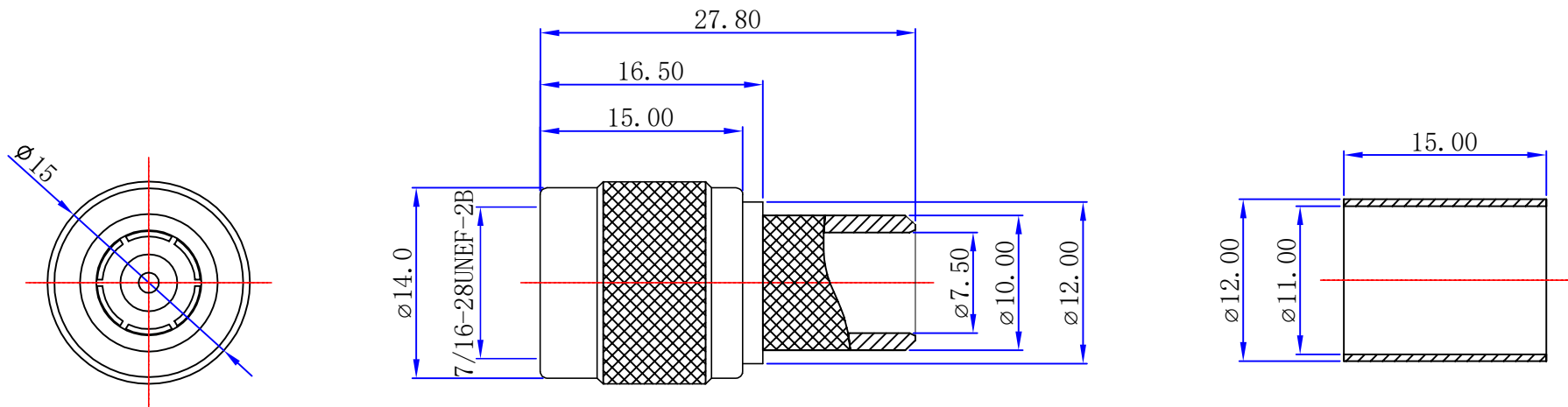




Product NO. TNCJ-L400-D

| REV  | DESCRIPTION | DWN   | DATE       | APPROVEN  |
|------|-------------|-------|------------|-----------|
| RI.0 | First issue | Gavin | 2020/09/07 | JIM. KING |



Specifications:

IMPEDANCE: 50 Ohms

Frequency range: 0~6GHZ

VSWR: 1.5MAX

Working voltage: 500V rms @ sea level

Insulation resistance: 5000 Ohms min

Temperature range: -40°C TO +155°C

|    |             |          |        |     |
|----|-------------|----------|--------|-----|
| 4  | Copper pipe | BRASS    | NICKEL | 1   |
| 3  | CONTACT PIN | BRASS    | GOLD   | 1   |
| 2  | INSULATOR   | PTFE     | NINE   | 1   |
| 1  | BOOY        | BRASS    | NICKEL | 1   |
| NO | DESCRIPTION | MATERIAL | FINISH | QTY |

|   |  |                  |      |      |      |
|---|--|------------------|------|------|------|
| -TOLERANCES-<br>UNLESS OTHERWISE<br>SPECIFIED   |  |                  |      |      |      |
|   | PART DESCRIPTION:<br>TNC PLUG FOR LMR400 CABLE |                  |      |      |      |
| UNLESS OTHERWISE SPECIFIED<br>TOLERANCES FOR MILLIMETERS ARE:<br>0.5 - 8mm ± 0.20mm<br>8 - 30mm ± 0.25mm<br>30 - 120mm ± 0.30mm | Appd: JIM. KING                                | P/N: TNCJ-L400-D |      |      |      |
| Check:  | Date   | Scale            | Unit | Type | Page |
| Draw: Gavin   | 2020.09.07                                     | Free             | MM   | Z    | 1/1  |

1

2

3

4

5

6